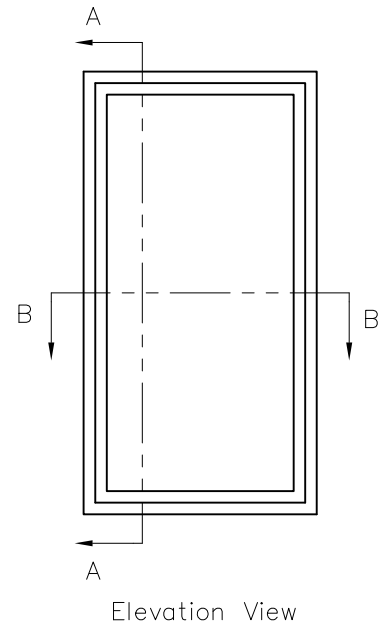
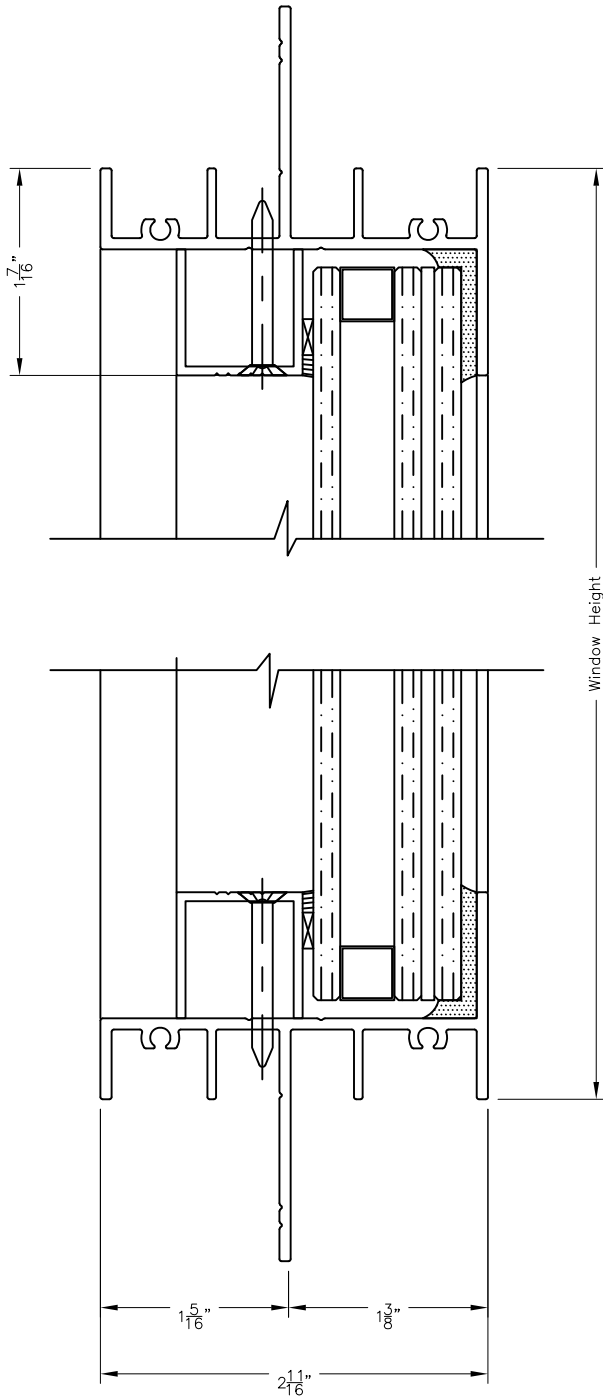


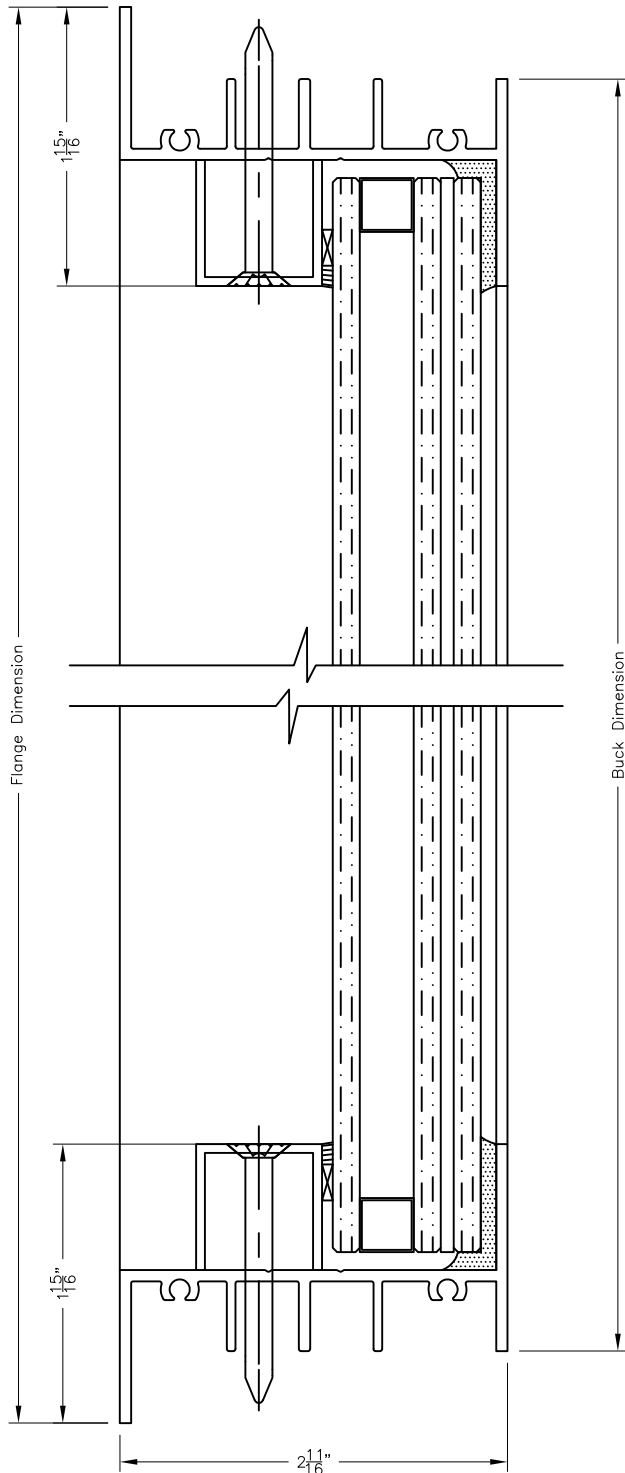
**SERIES MPPW51 PICTURE WINDOW FIN FRAME VERTICAL
CROSS-SECTION**



SECTION A-A
SCALE: 3:4

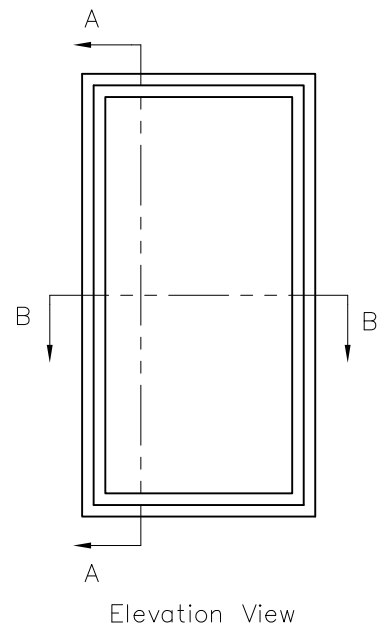
This drawing is proprietary and confidential and is intended for architectural design and/or specification purposes. It shall not be reproduced, copied, or disseminated for any other reason without expressed written permission.

**SERIES MPPW51 PICTURE WINDOW FLANGE FRAME VERTICAL
CROSS-SECTION**



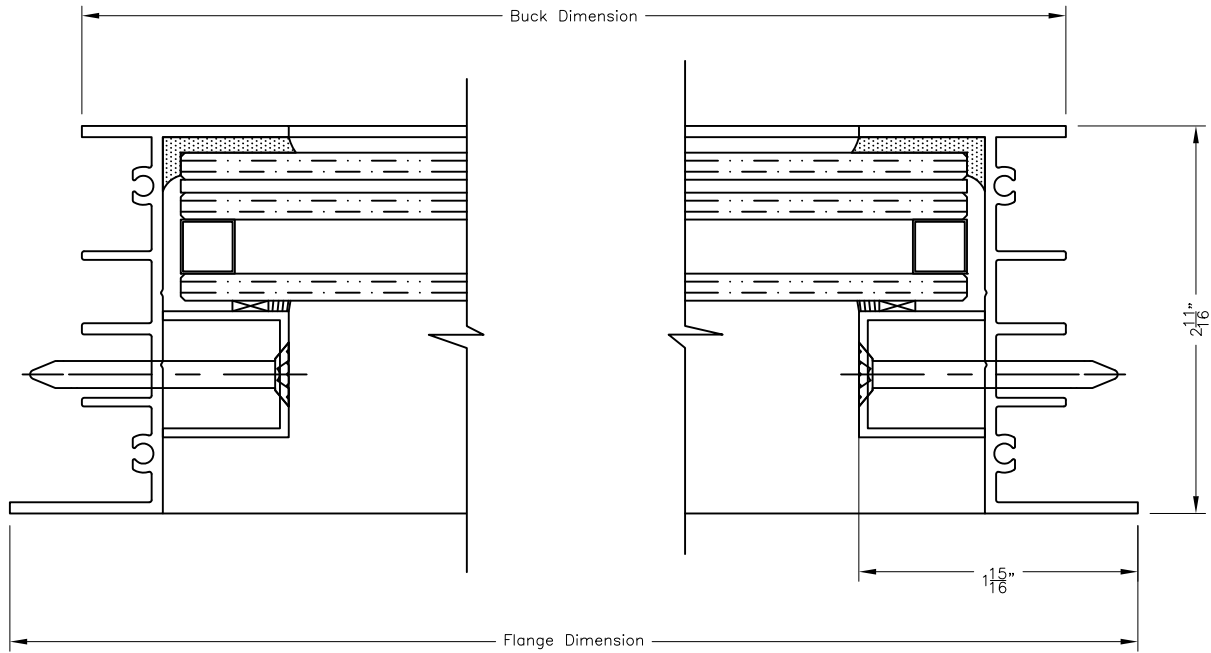
SECTION A-A

SCALE: 3:4

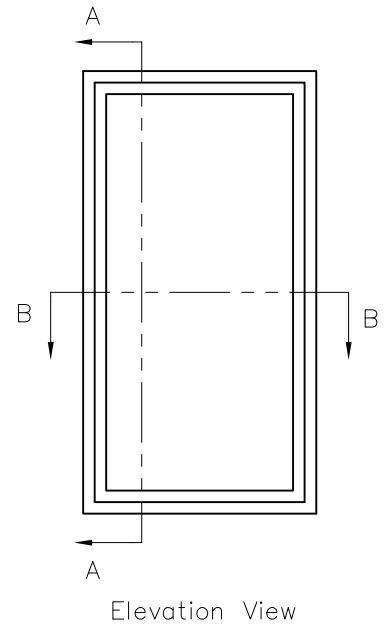


This drawing is proprietary and confidential and is intended for architectural design and/or specification purposes. It shall not be reproduced, copied, or disseminated for any other reason without expressed written permission.

**SERIES MPPW51 PICTURE WINDOW FLANGE FRAME HORIZONTAL
CROSS-SECTION**

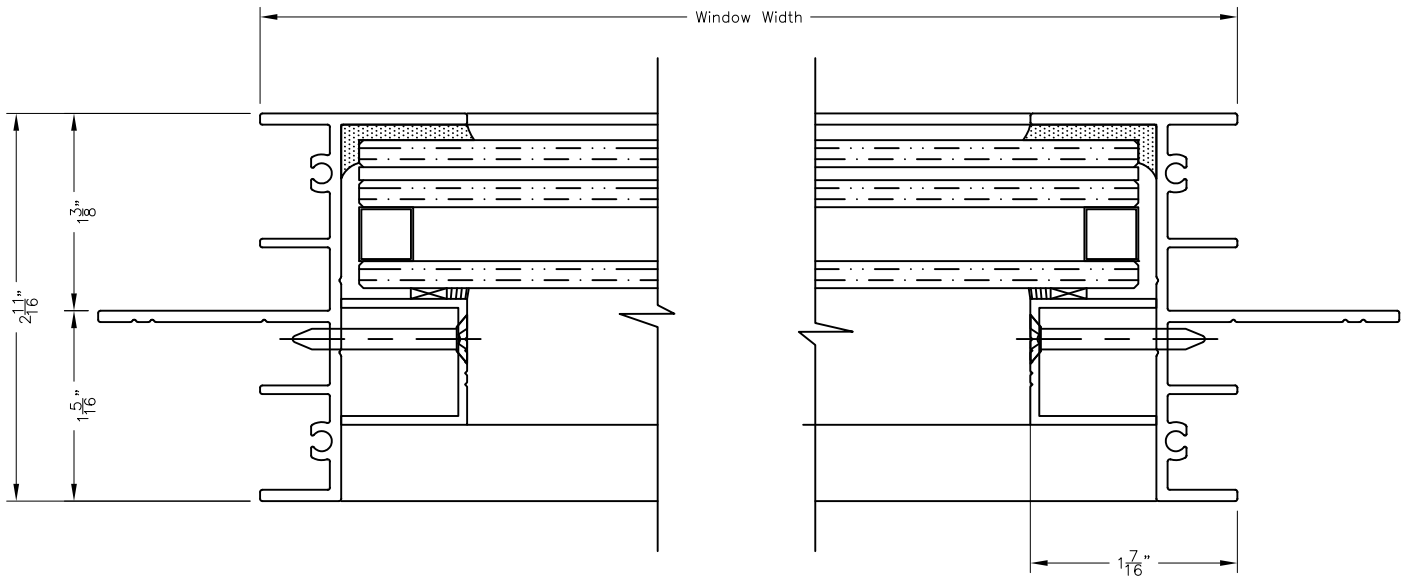


SECTION B-B
SCALE: 3:4

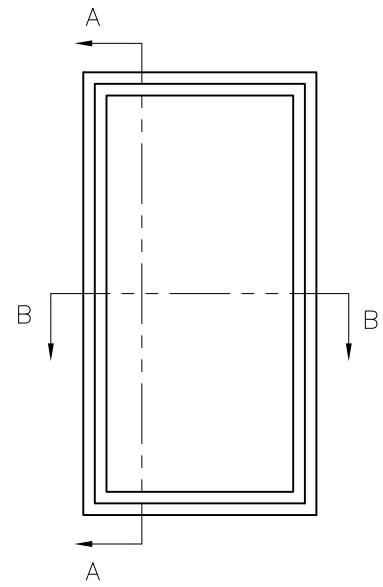


This drawing is proprietary and confidential and is intended for architectural design and/or specification purposes. It shall not be reproduced, copied, or disseminated for any other reason without expressed written permission.

SERIES MPPW51 PICTURE WINDOW FIN FRAME HORIZONTAL CROSS-SECTION



SECTION B-B
SCALE: 3:4



Elevation View

This drawing is proprietary and confidential and is intended for architectural design and/or specification purposes. It shall not be reproduced, copied, or disseminated for any other reason without expressed written permission.