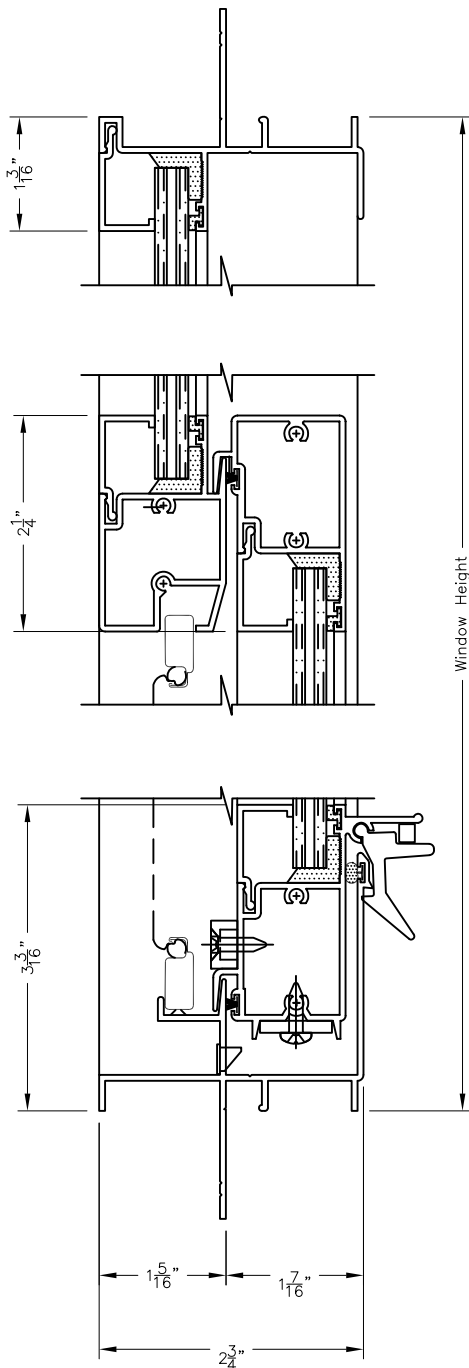
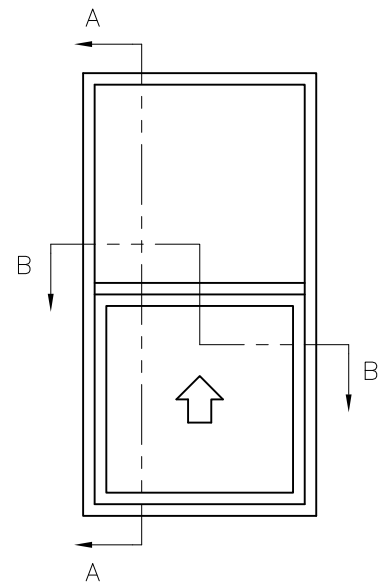


SERIES MPSH41 SINGLE HUNG FIN FRAME VERTICAL CROSS-SECTION



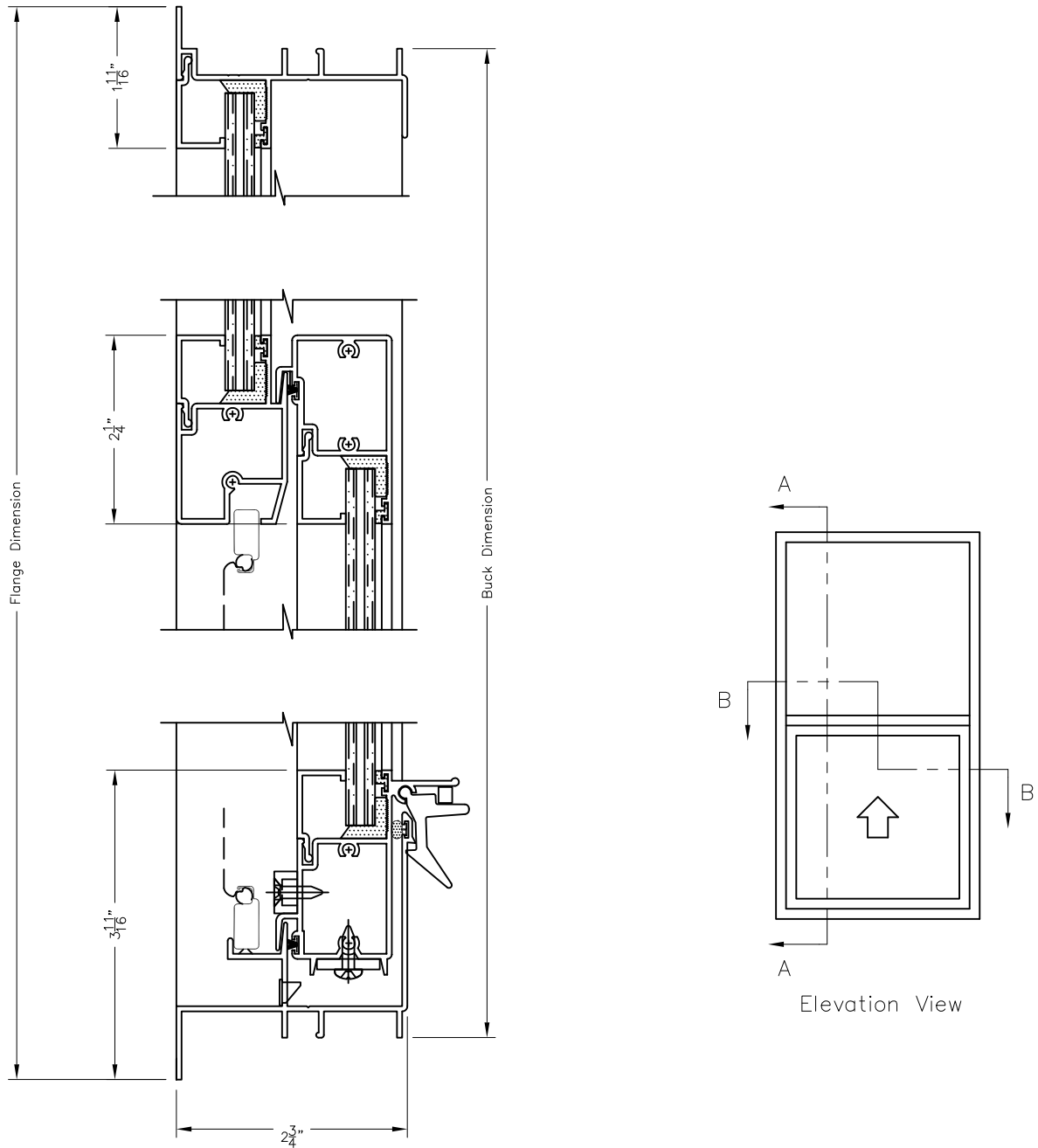
SECTION A-A
SCALE: 1:2



Elevation View

This drawing is proprietary and confidential and is intended for architectural design and/or specification purposes. It shall not be reproduced, copied, or disseminated for any other reason without expressed written permission.

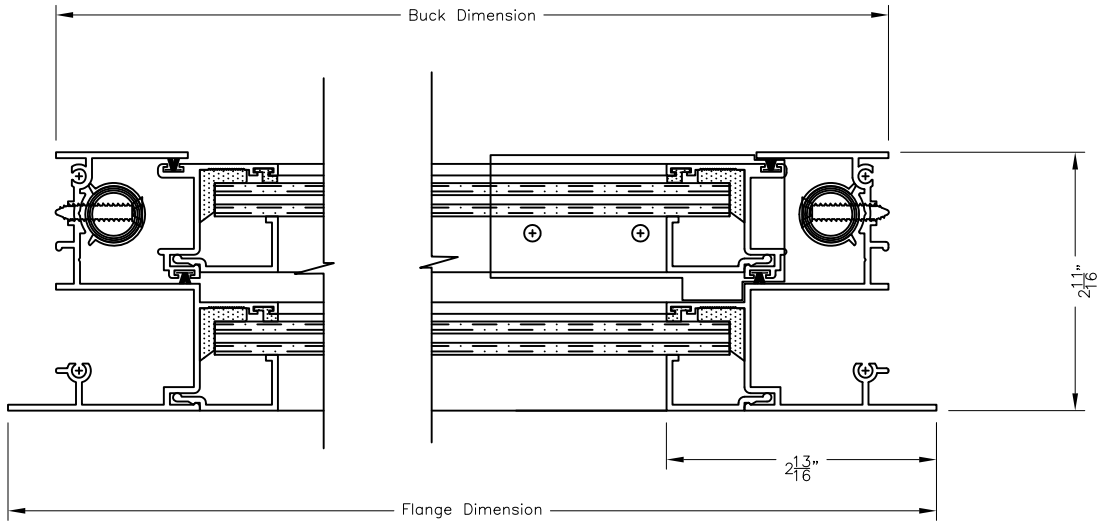
**SERIES MPSH41 SINGLE HUNG FLANGE FRAME VERTICAL
CROSS-SECTION**



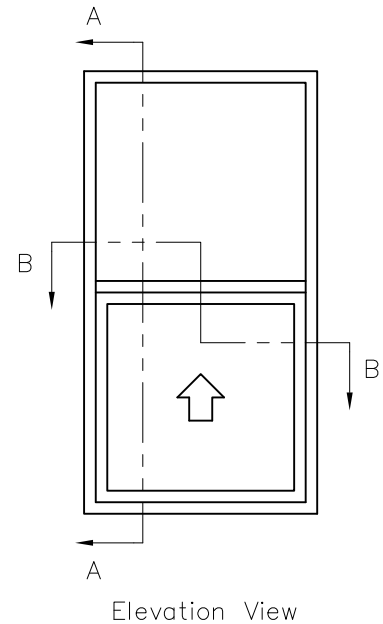
SECTION A—A
SCALE: 1:2

This drawing is proprietary and confidential and is intended for architectural design and/or specification purposes. It shall not be reproduced, copied, or disseminated for any other reason without expressed written permission.

SERIES MPSH41 SINGLE HUNG FLANGE FRAME HORIZONTAL CROSS-SECTION

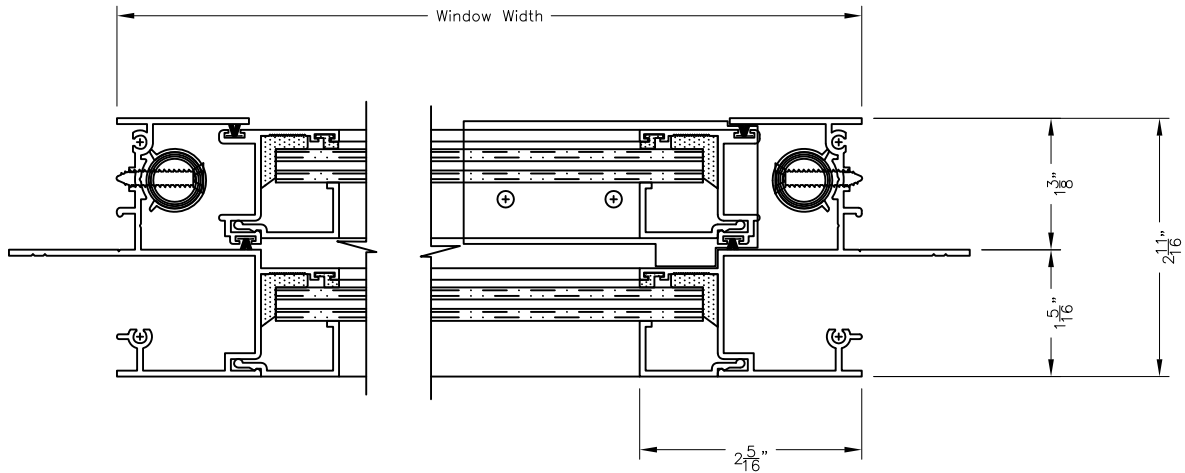


SECTION B-B
SCALE: 1:2

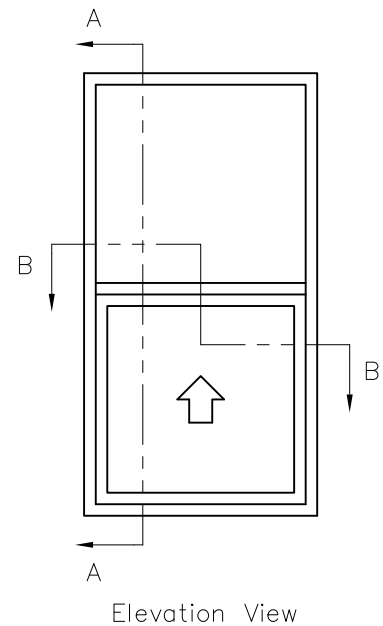


This drawing is proprietary and confidential and is intended for architectural design and/or specification purposes. It shall not be reproduced, copied, or disseminated for any other reason without expressed written permission.

SERIES MPSH41 SINGLE HUNG FIN FRAME HORIZONTAL CROSS-SECTION



SECTION B-B
SCALE: 1:2



This drawing is proprietary and confidential and is intended for architectural design and/or specification purposes. It shall not be reproduced, copied, or disseminated for any other reason without expressed written permission.