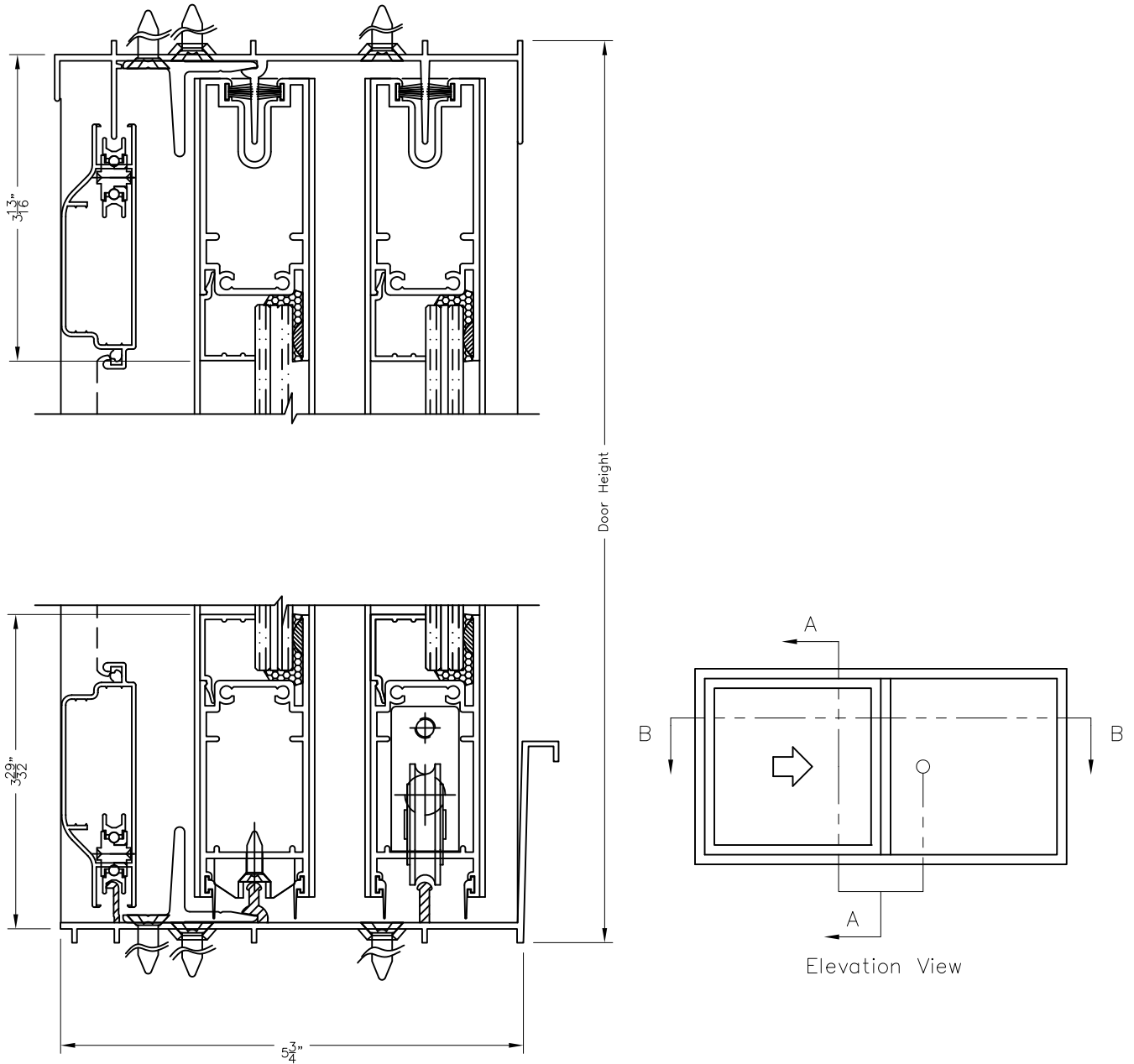


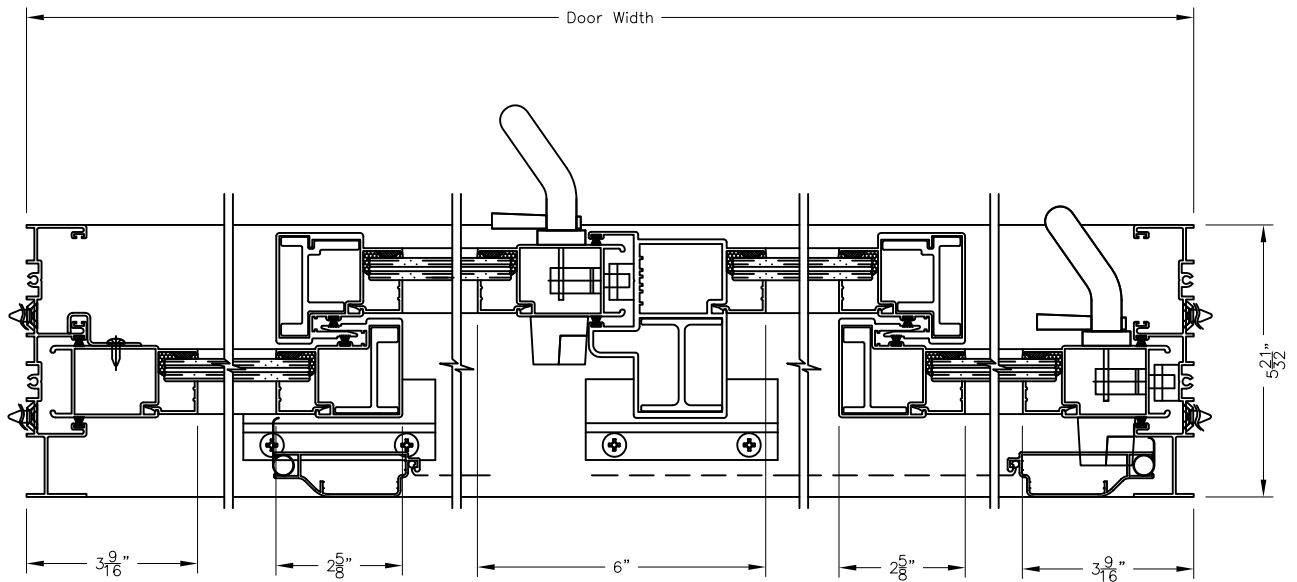
**SERIES MPSGD4 SLIDING DOOR VERTICAL CROSS-SECTION**



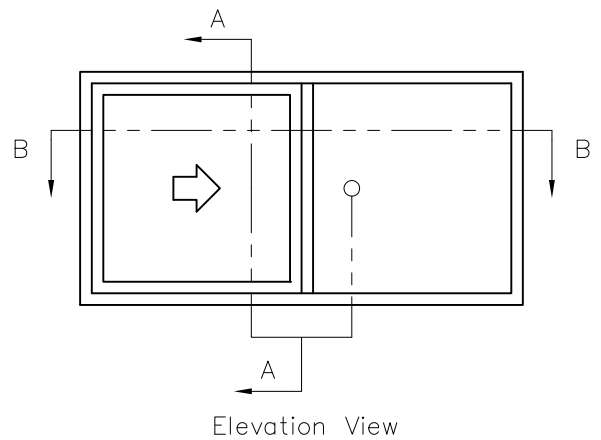
SECTION A-A  
SCALE: 1:2

This drawing is proprietary and confidential and is intended for architectural design and/or specification purposes. It shall not be reproduced, copied, or disseminated for any other reason without expressed written permission,

## SERIES MPSGD4 SLIDING DOOR HORIZONTAL CROSS-SECTION



SECTION B-B  
SCALE: 1:4



This drawing is proprietary and confidential and is intended for architectural design and/or specification purposes. It shall not be reproduced, copied, or disseminated for any other reason without expressed written permission.