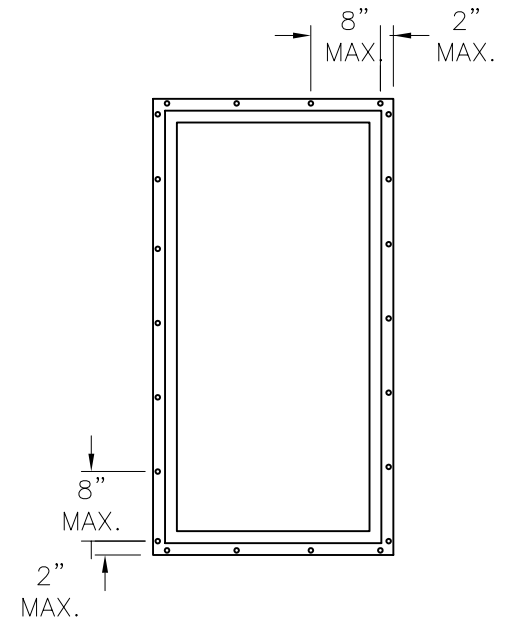
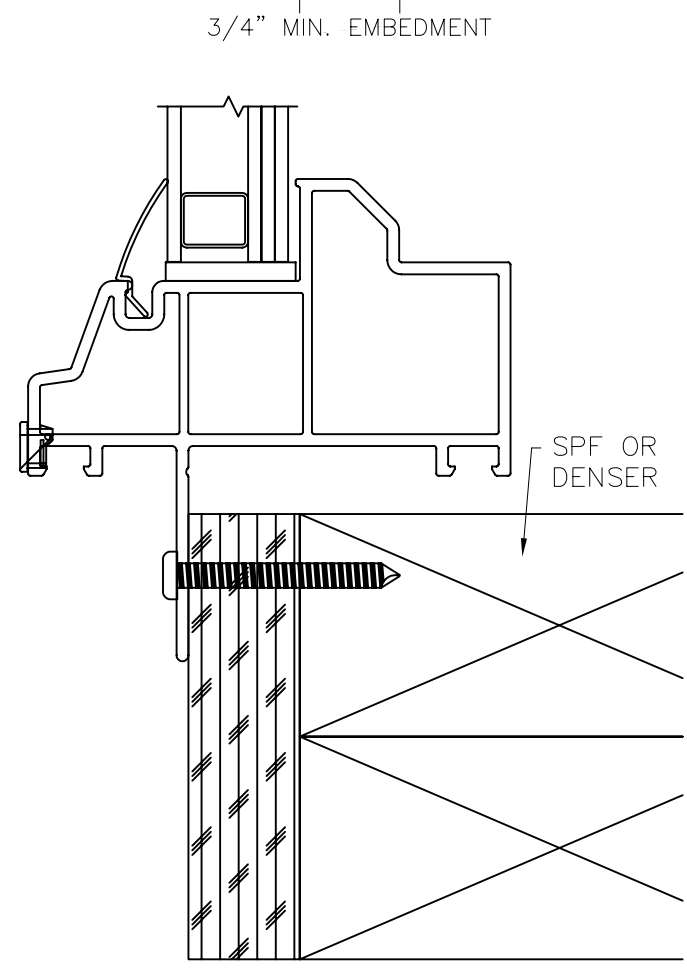
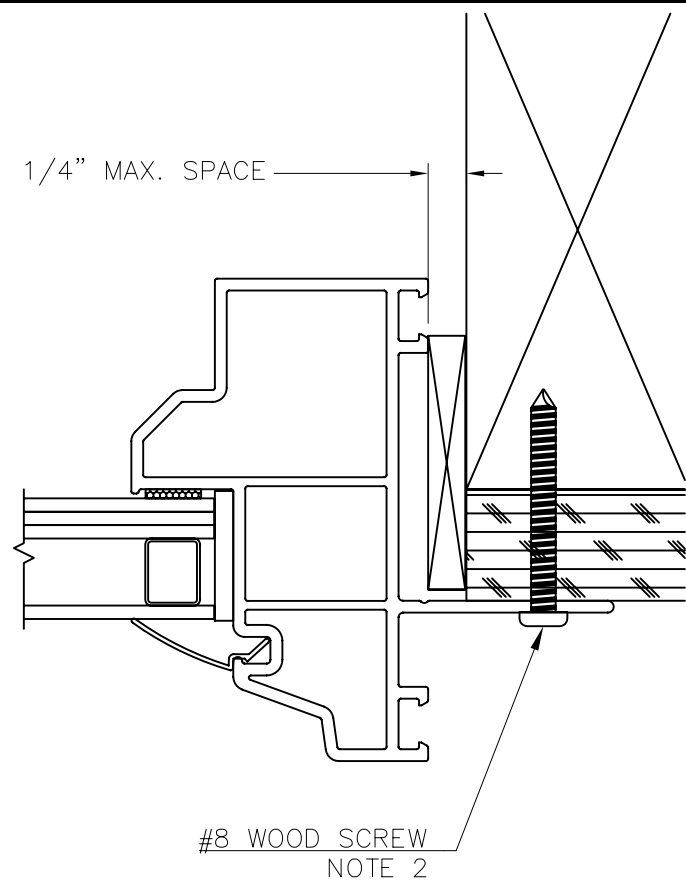
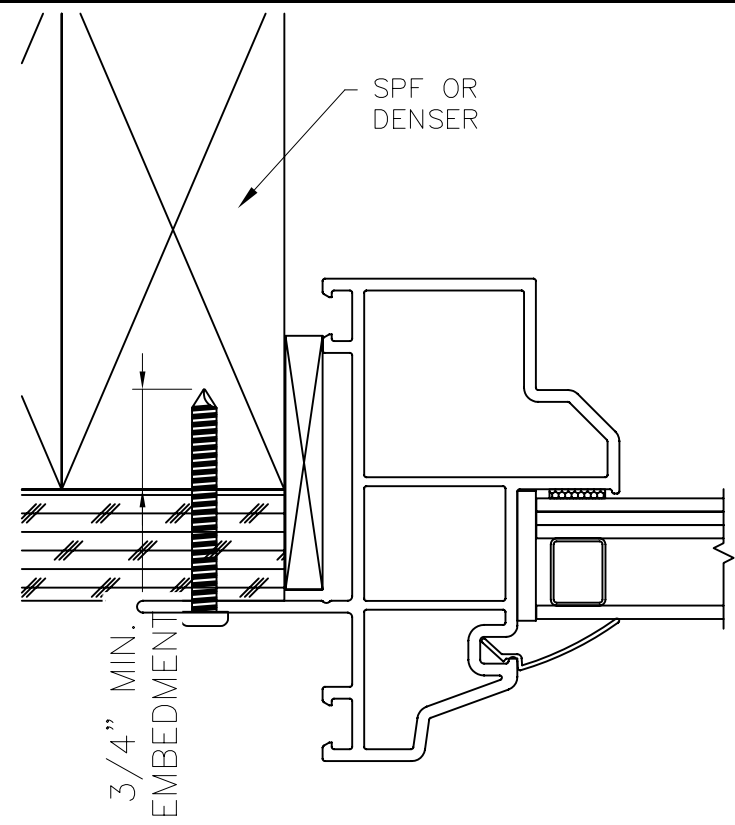
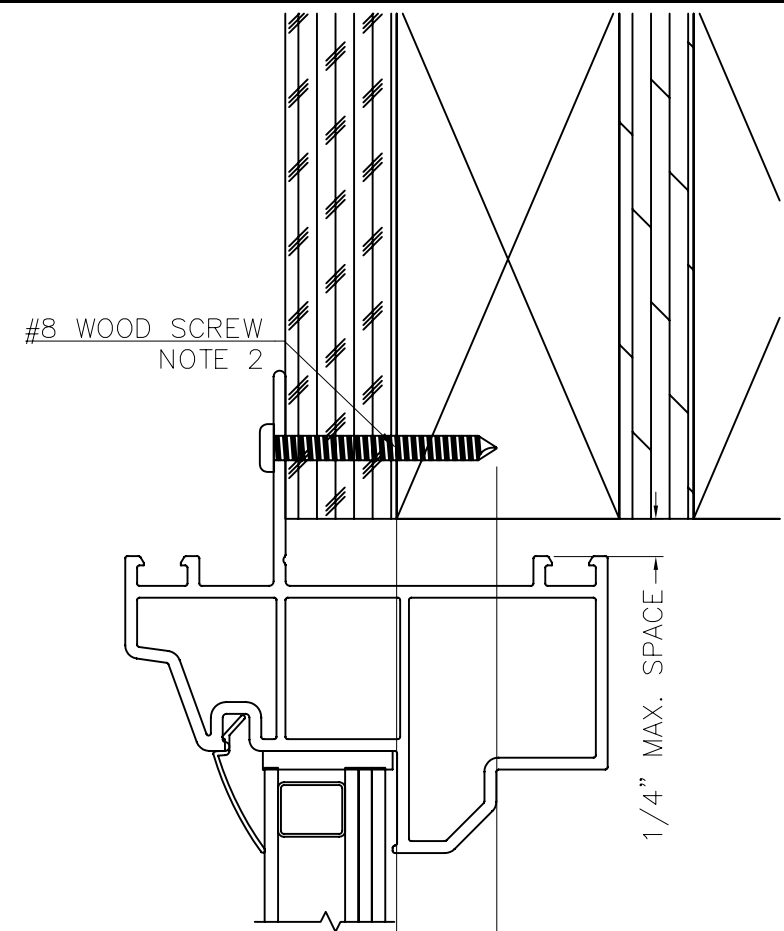


Table 1 – Verified Installations			
Certification	DP (psf)	WIDTH (in)	HEIGHT (in)
66673 & 84729	+/- 55.0	72	72



Elevation View

- NOTES:
- INSTALLATIONS SHOWN ON THIS DRAWING HAVE BEEN VERIFIED AS THE AS-TESTED INSTALLATION FOR THE PERFORMANCE LEVEL SHOWN. INSTALLATION ANCHOR CAPACITY HAS ALSO BEEN VERIFIED FOR THE ANCHOR SIZE, SUBSTRATE AND INSTALLED CONDITION. VERIFIED PRODUCTS ARE LISTED IN TABLE 1. THIS DRAWING APPLIES ONLY TO THOSE PRODUCTS.
 - FIN INSTALLATION ANCHORS SHALL BE #8 WOOD SCREWS OF SUFFICIENT LENGTH TO ACHIEVE MINIMUM EMBEDMENT OF 3/4" INTO WOOD FRAMING MEMBER. WOOD SCREWS SHALL SATISFY NATIONAL DESIGN SPECIFICATION FOR MATERIAL PROPERTIES AND DIMENSIONS. PER NDS-2005 11.1.4.7, EDGE DISTANCES SHALL BE SUFFICIENT TO PREVENT SPLITTING.
 - WOOD FRAMING SHALL BE SPRUCE-PINE-FIR (G=0.42) OR DENSER.
 - FIN INSTALLATION ANCHORS ARE SHOWN GOING THROUGH EXTERIOR FINISH. ANCHORS MAY BE INSTALLED DIRECTLY INTO WOOD FRAMING MEMBER WITH 3/4" MINIMUM EMBEDMENT STILL REQUIRED.
 - FIN INSTALLATION ANCHORS SHALL BE LOCATED FULL PERIMETER 2" FROM CORNERS AND 8" MAXIMUM ON CENTER SPACING.
 - THESE INSTRUCTIONS ADDRESS STRUCTURAL REQUIREMENTS ONLY. WINDOWS SHALL BE INSTALLED PER ASTM E2112 OR FMA/AAMA 100.
 - SMALLER WINDOWS OF THE SAME CONSTRUCTION AND EQUAL OR LESSER DESIGN PRESSURES ARE COVERED BY THIS DRAWING.
 - GLAZING SHALL BE INSULATING GLASS COMPRISED OF 1/8" ANNEALED OR TEMPERED+ AIRSPACE+ 1/8" ANNEALED+INTERLAYER+1/8" ANNEALED.
 - PRODUCTS LISTED IN TABLE 1 ARE ASTM E1886 AND 1996 IMPACT RESISTANCE, MISSILE LEVEL "D", ZONE "3".
 - PRODUCT OR INSTALLATION IS NOT APPROVED FOR HIGH VELOCITY HURRICANE ZONE (HVHZ)

Joshua M. Royce, P.E.
 FL PE 68180
 130 Derry Ct.
 York, PA 17406
 717-764-7700
 Project 89212.01-122-34

THIS DRAWING IS PROPRIETARY AND CONFIDENTIAL TO ATRIUM COMPANIES, INC. AND SHALL NOT BE REPRODUCED, COPIED, OR DISSEMINATED WITHOUT THE EXPRESSED WRITTEN PERMISSION OF ATRIUM COMPANIES, INC.				
ATRIUM COMPANIES, INC.				
No.	Date	Revision Description	By	ECN #
--	----	-----	---	-----
Material (Type-Alloy-Temper):		Est. Area (in ²): NA	Tolerances: X.XX = ±X.XX	
-----		Est. Weight (lb/ft): NA	X.XXX = ±X.XXX	
Date:		23 JUNE 2008	Scale:	3:4
ECN# (Initial Issue):		ECN-2008-1395G	File Name:	ADW-00 70 270 PW Installation Instructions
Title:		ADW-01 70 PW FIN INSTALLATION		
Drawn By:	Approved By:	Date:	Scale:	Sheet Size:
JTS	DJC	23 JUNE 2008	3:4	ANSI B
				Sheet 1/1