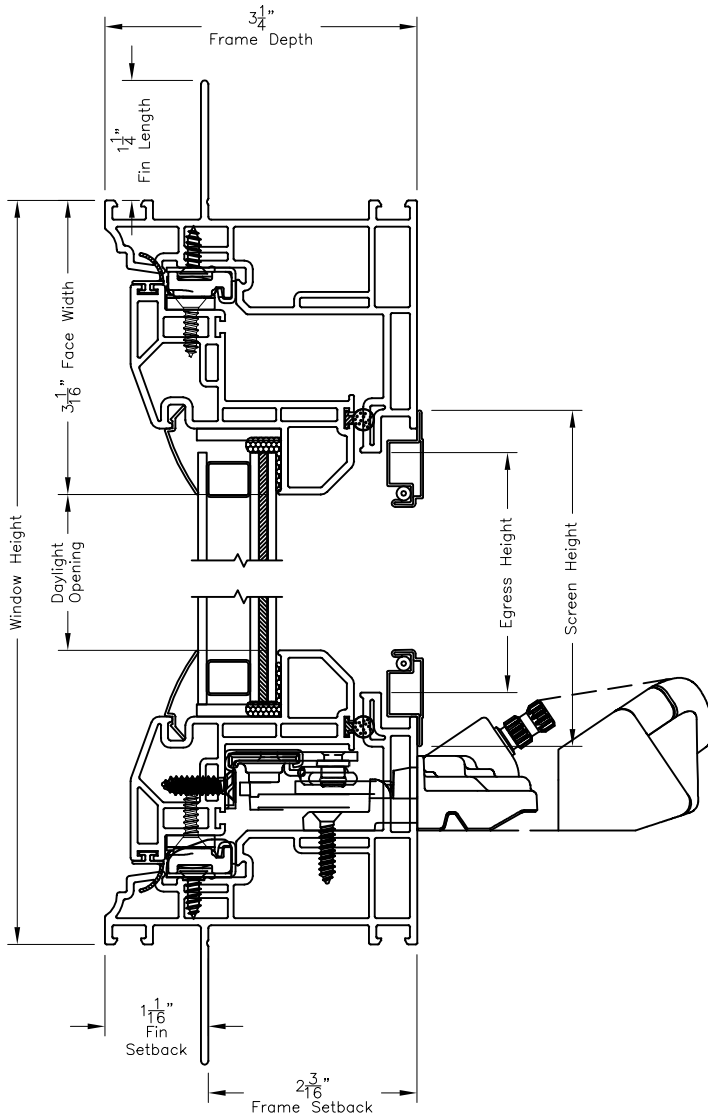
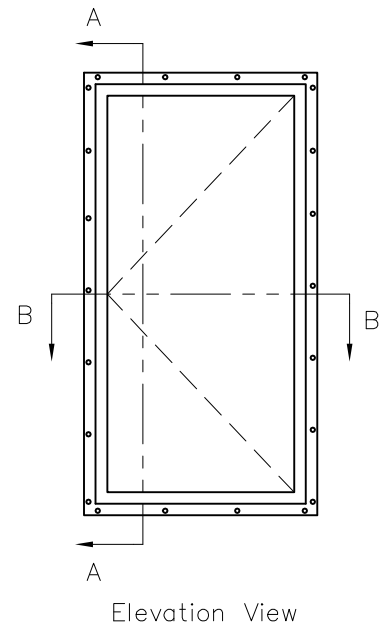


**SERIES 70 / 270 IMPACT CASEMENT VERTICAL CROSS-SECTION**

Series 70 Shown.  
Series 270 (no fin) is available  
for replacement applications.

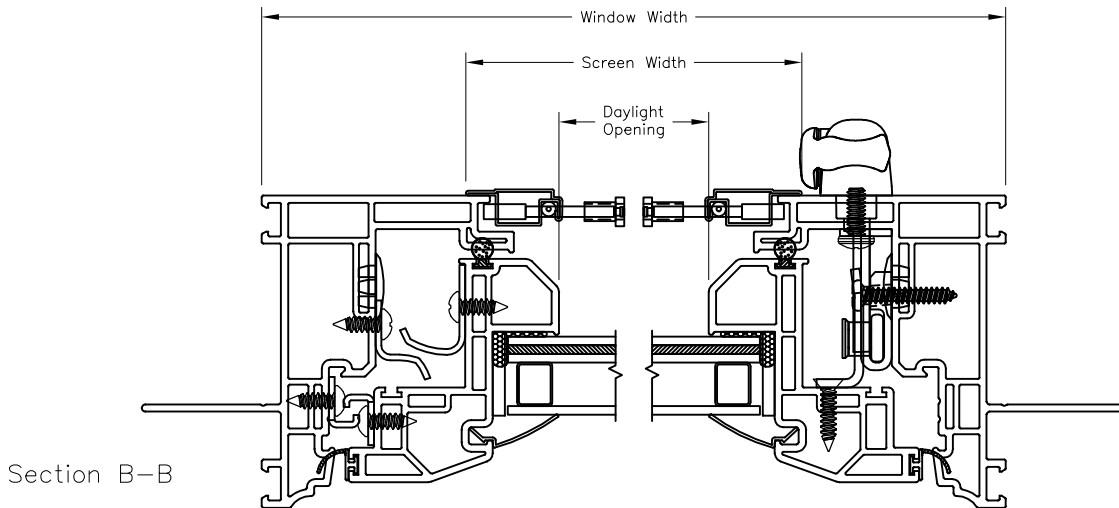


Section A-A

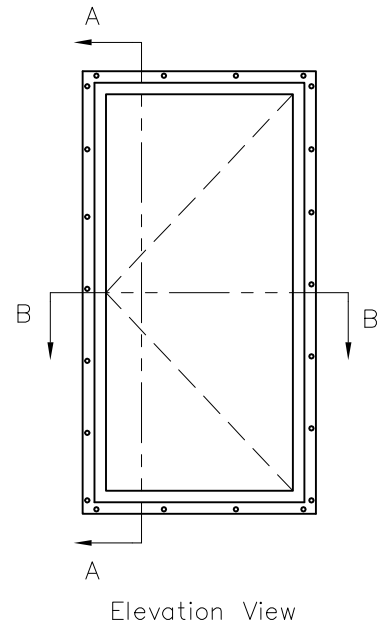


This drawing is the property of Atrium Companies, Inc. and is intended for architectural design and/or specification purposes only. It may not be reproduced, copied, or disseminated without the express written permission of Atrium Companies, Inc.

## SERIES 70 / 270 IMPACT CASEMENT HORIZONTAL CROSS-SECTION



Series 70 Shown.  
Series 270 (no fin) is available  
for replacement applications.



This drawing is the property of Atrium Companies, Inc. and is intended for architectural design and/or specification purposes only. It may not be reproduced, copied, or disseminated without the express written permission of Atrium Companies, Inc.