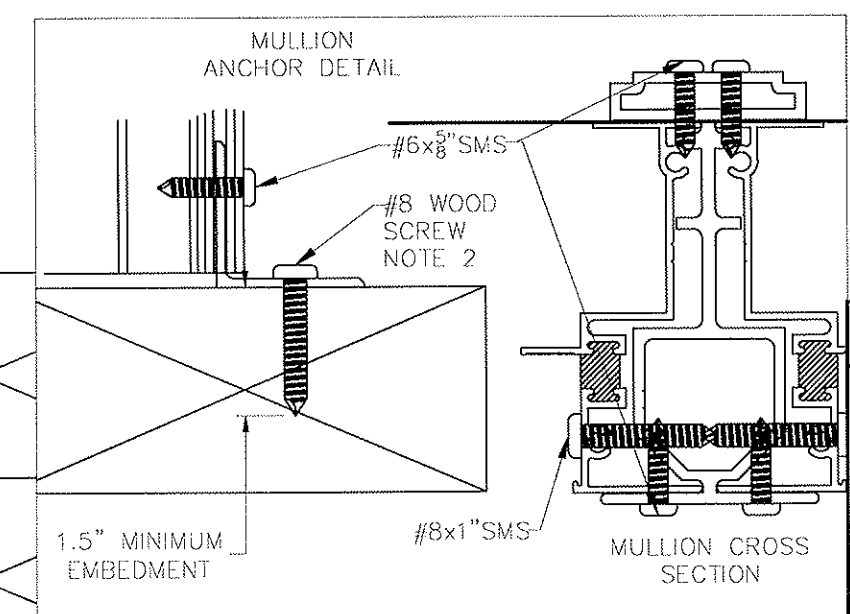
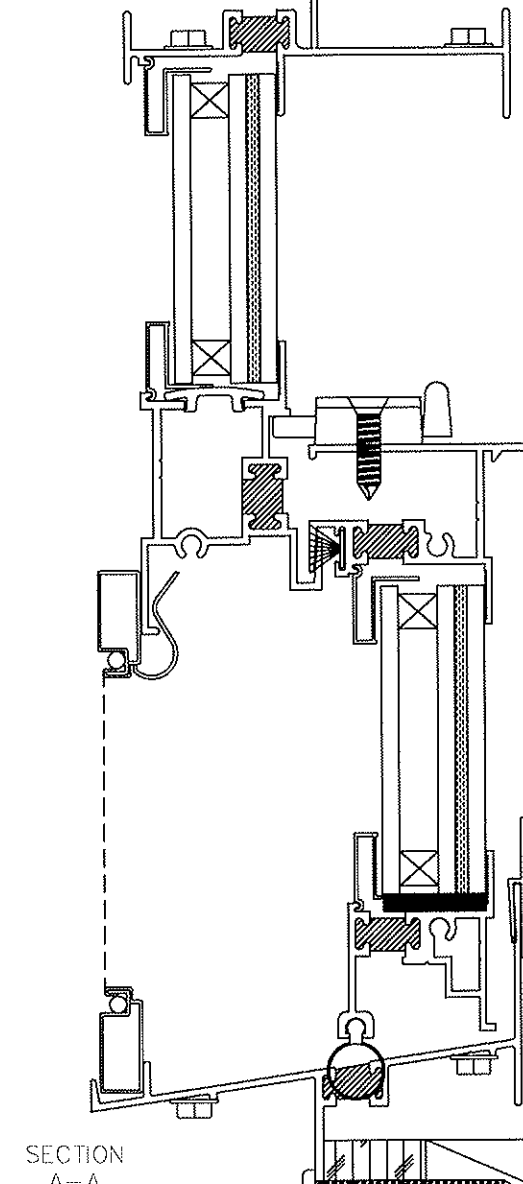
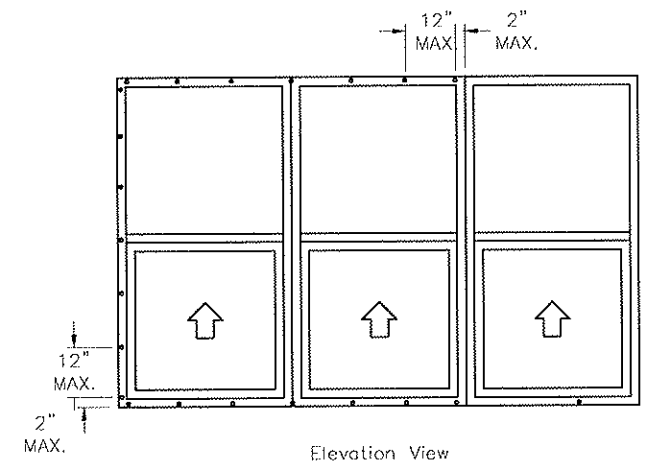
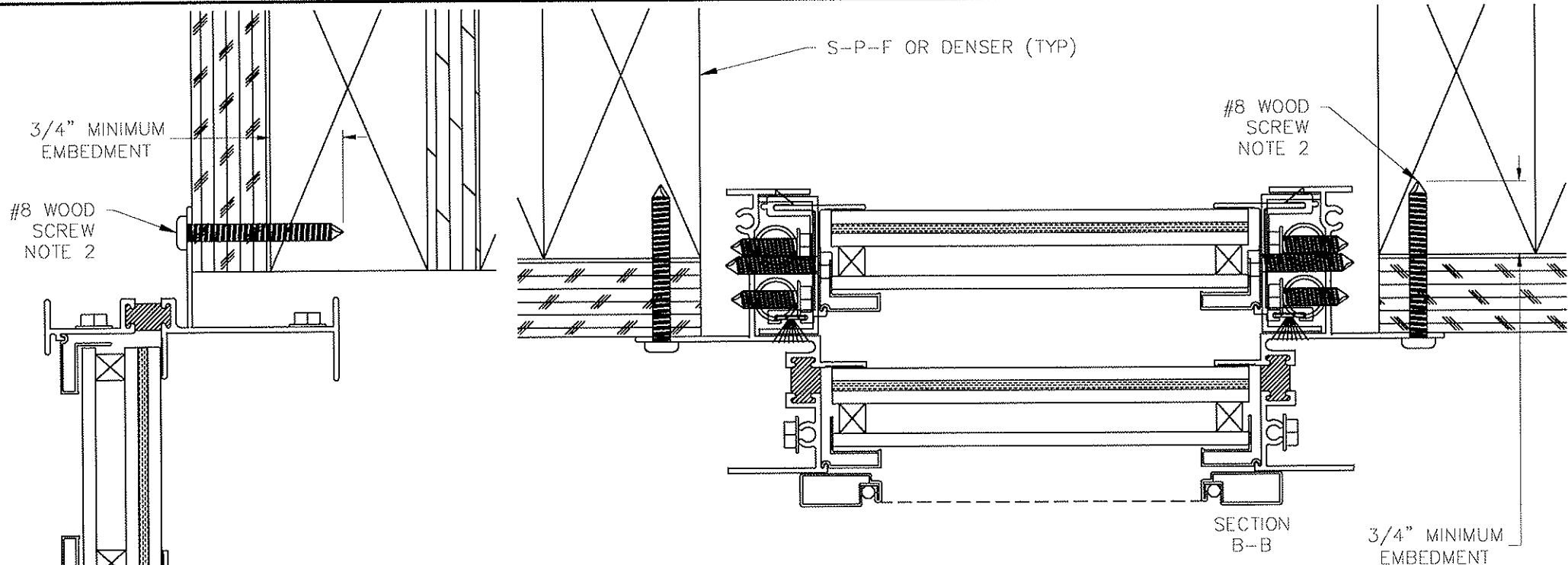
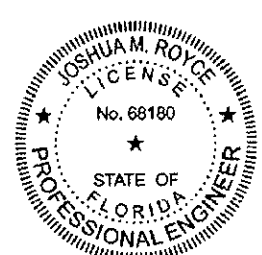



Certification	DP (psf)	WIDTH (in)	HEIGHT (in)
70093 & 72259	+/- 50.0	108	72

NOTES:

- INSTALLATIONS SHOWN ON THIS DRAWING HAVE BEEN VERIFIED AS THE AS-TESTED INSTALLATION FOR THE PERFORMANCE LEVEL SHOWN. INSTALLATION ANCHOR CAPACITY HAS ALSO BEEN VERIFIED FOR THE ANCHOR SIZE, SUBSTRATE AND INSTALLED CONDITION. VERIFIED PRODUCTS ARE LISTED IN TABLE 1. THIS DRAWING APPLIES ONLY TO THOSE PRODUCTS.
- INSTALLATION ANCHORS SHALL BE #8 WOOD SCREWS OF SUFFICIENT LENGTH TO ACHIEVE MINIMUM EMBEDMENT OF 3/4" INTO WOOD FRAMING MEMBER. WOOD SCREWS SHALL SATISFY NATIONAL DESIGN SPECIFICATION FOR MATERIAL PROPERTIES AND DIMENSIONS. PER NDS-2005 11.1.4.7, EDGE DISTANCES SHALL BE SUFFICIENT TO PREVENT SPLITTING.
- WOOD FRAMING SHALL BE SPRUCE-PINE-FIR (G=0.42) OR DENSER.
- FIN INSTALLATION ANCHORS ARE SHOWN GOING THROUGH EXTERIOR FINISH. ANCHORS MAY BE INSTALLED DIRECTLY INTO WOOD FRAMING MEMBER WITH 3/4" MINIMUM EMBEDMENT STILL REQUIRED.
- FIN INSTALLATION ANCHORS SHALL BE LOCATED 2" FROM CORNERS AND 6" MAXIMUM ON CENTER SPACING.
- THESE INSTRUCTIONS ADDRESS STRUCTURAL REQUIREMENTS ONLY. WINDOWS SHALL BE INSTALLED PER ASTM E2112 OR FMA/AAMA 100.
- MAXIMUM INDIVIDUAL UNIT SIZE SHALL BE 36" X 72". SMALLER WINDOWS OF THE SAME CONSTRUCTION AND EQUAL OR LESSER DESIGN PRESSURES ARE COVERED BY THIS DRAWING. THIS APPROVAL SHALL ALSO QUALIFY TWIN AND SINGLE UNIT COMPLYING WITH THE SAME RESTRICTIONS.
- GLAZING SHALL BE LAMINATED GLASS COMPOSED OF 1/8" ANNEALED OR TEMPERED + AIR SPACE + 1/8" ANNEALED + .090" INTERLAYER + 1/8" ANNEALED. GLAZING SHALL SATISFY ASTM E1300.
- PRODUCTS LISTED IN TABLE 1 ARE ASTM E1886 & E1996 LARGE MISSILE IMPACT RESISTANT FOR MISSILE LEVEL "D" AND WIND ZONE "3".
- PRODUCT OR INSTALLATION IS NOT APPROVED FOR HIGH VELOCITY HURRICANE ZONE (HVHZ)



  
 Secure Electronic Seal  
 For Electronic Submissions  
  
 Digitally Signed by: Joshua M. Royce  
 Date: 2008.12.17 13:24:59 -05'00'  
 Joshua M. Royce, P.E.  
 FL PE 68180  
 130 Derry Ct.  
 York, PA 17406  
 717-764-7700  
 Project 85977.01-122-34

THIS DRAWING IS PROPRIETARY AND CONFIDENTIAL TO ATRIUM COMPANIES, INC. AND SHALL NOT BE REPRODUCED, COPIED, OR DISSEMINATED WITHOUT THE EXPRESSED WRITTEN PERMISSION OF ATRIUM COMPANIES, INC.



Title: 550SH INSTALLATION

No.	Date	Revision Description	By	ECN #
---	---	-----	---	-----

Material (Type-Alloy-Temper): ALUMINUM 6063-T5	Est. Area (in <sup>2</sup> ): NA Est. Weight (lb/ft): NA	Tolerances: X.XX = ±X.XX X.XXX = ±X.XXX X.X = ±X.X
Drawn By: JPP	Approved By: DJC	Date: 27 June 2008
ECN# (Initial Issue): ECR-2008-1395R	File Name: ADW-03 550 SH Installation Instructions	Scale: 3:4
		Sheet Size: ANSI B

Sheet 1/1