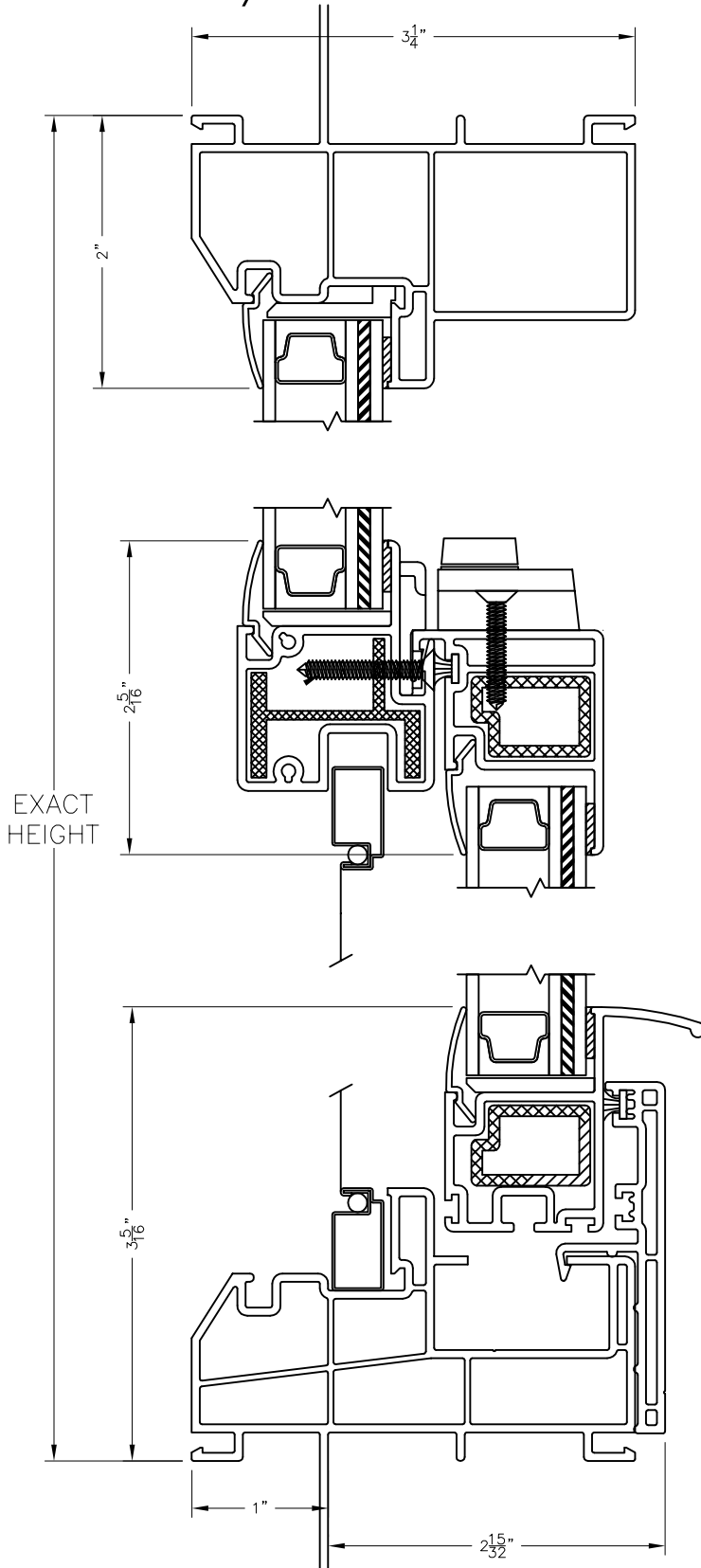
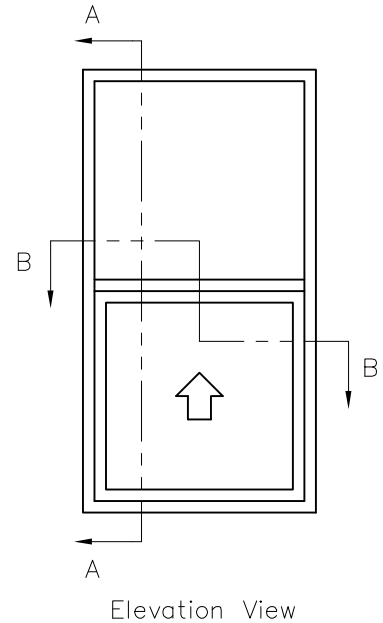


SERIES 50 / 250 SINGLE HUNG VERTICAL CROSS-SECTION

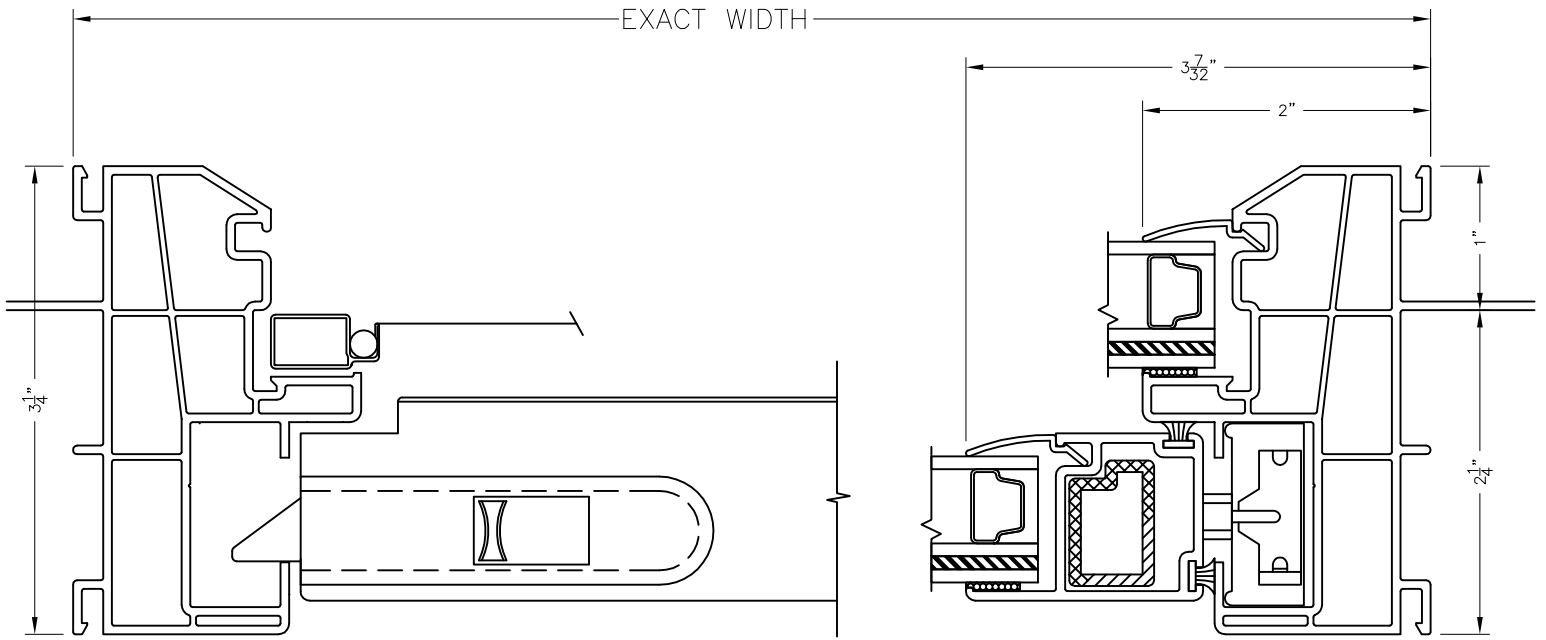


Series 50 Shown.
Series 250 (no fin) is available
for replacement applications.

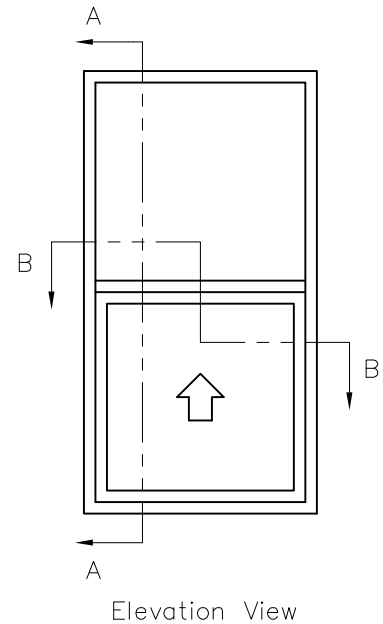


This drawing is proprietary and confidential and is intended for architectural design and/or specification purposes. It shall not be reproduced, copied, or disseminated for any other reason without expressed written permission.

SERIES 50 / 250 SINGLE HUNG HORIZONTAL CROSS-SECTION

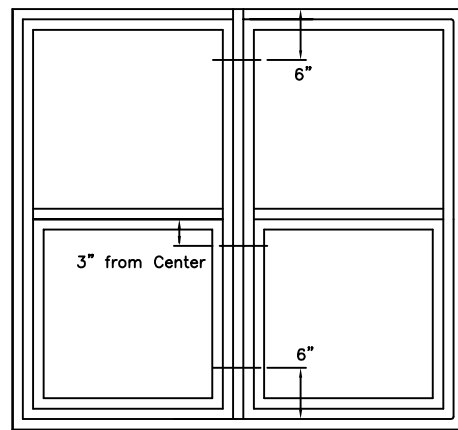
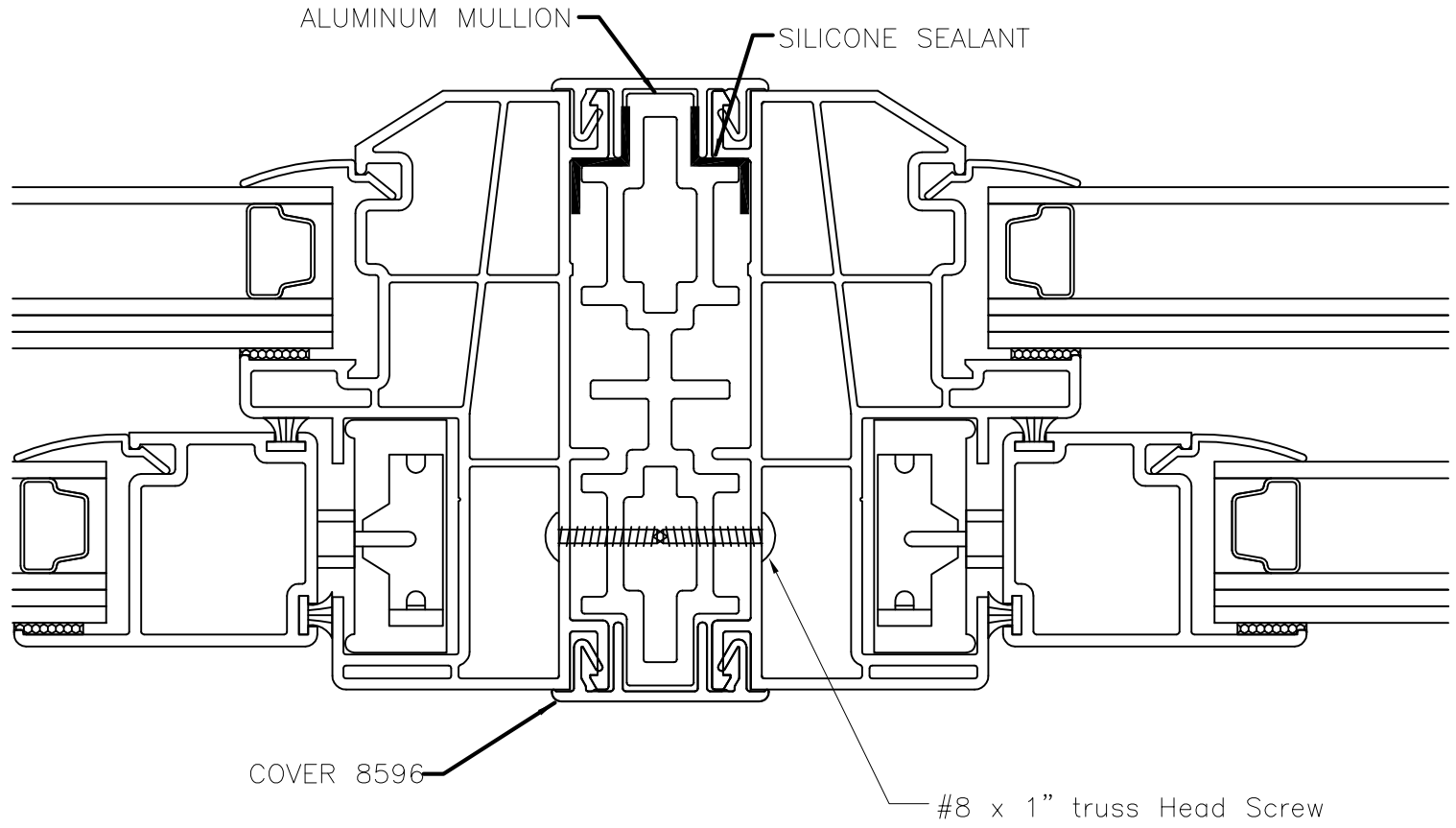


Series 50 Shown.
Series 250 (no fin) is available
for replacement applications.



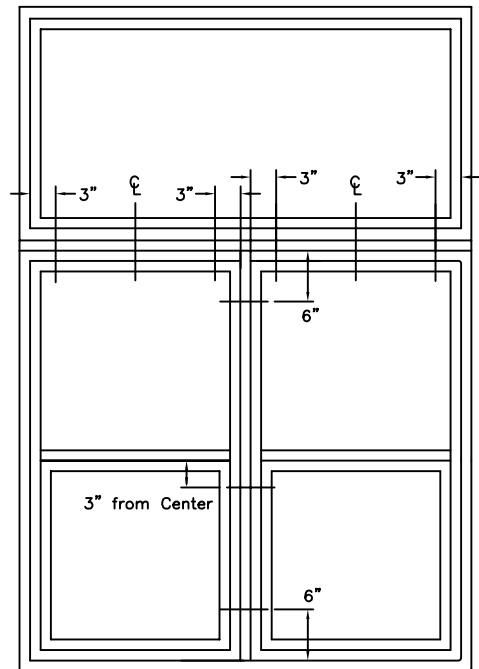
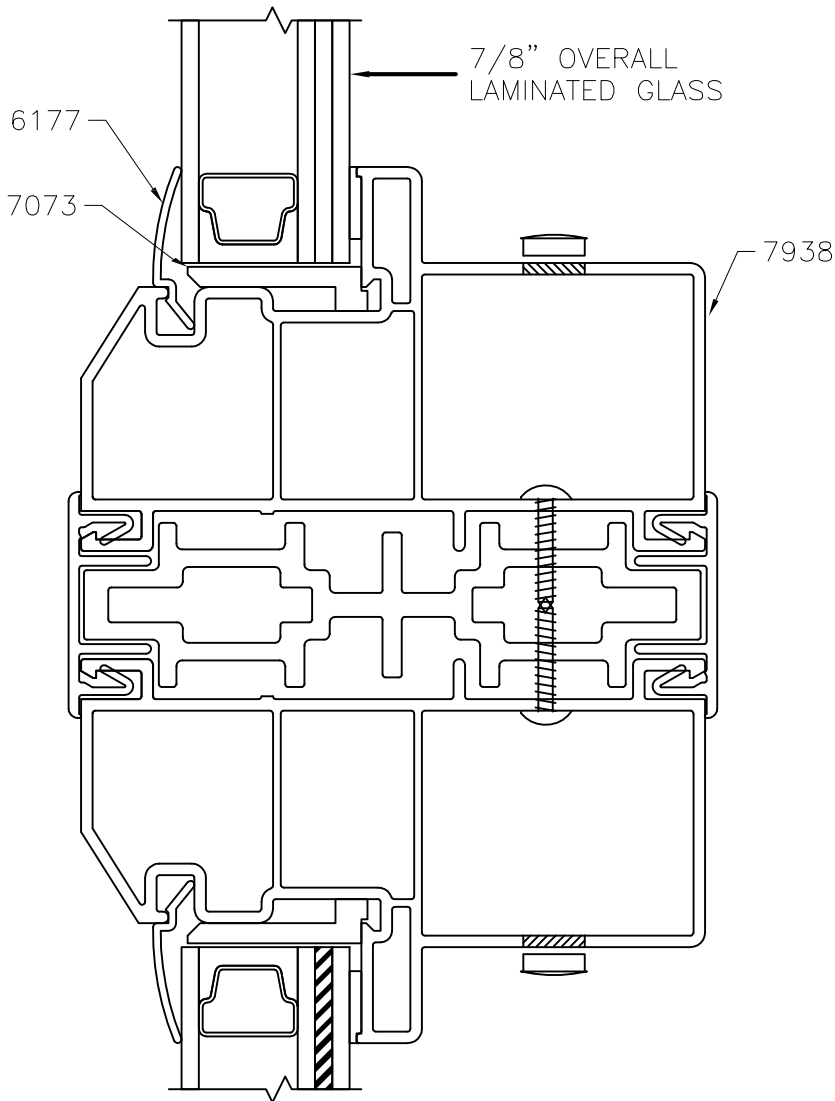
This drawing is proprietary and confidential and is intended for architectural design and/or specification purposes. It shall not be reproduced, copied, or disseminated for any other reason without expressed written permission.

SERIES 50 / 250 SINGLE HUNG MULL CROSS-SECTION



This drawing is proprietary and confidential and is intended for architectural design and/or specification purposes. It shall not be reproduced, copied, or disseminated for any other reason without expressed written permission.

SERIES 50 / 250 SINGLE HUNG STACK CROSS-SECTION



This drawing is proprietary and confidential and is intended for architectural design and/or specification purposes. It shall not be reproduced, copied, or disseminated for any other reason without expressed written permission.