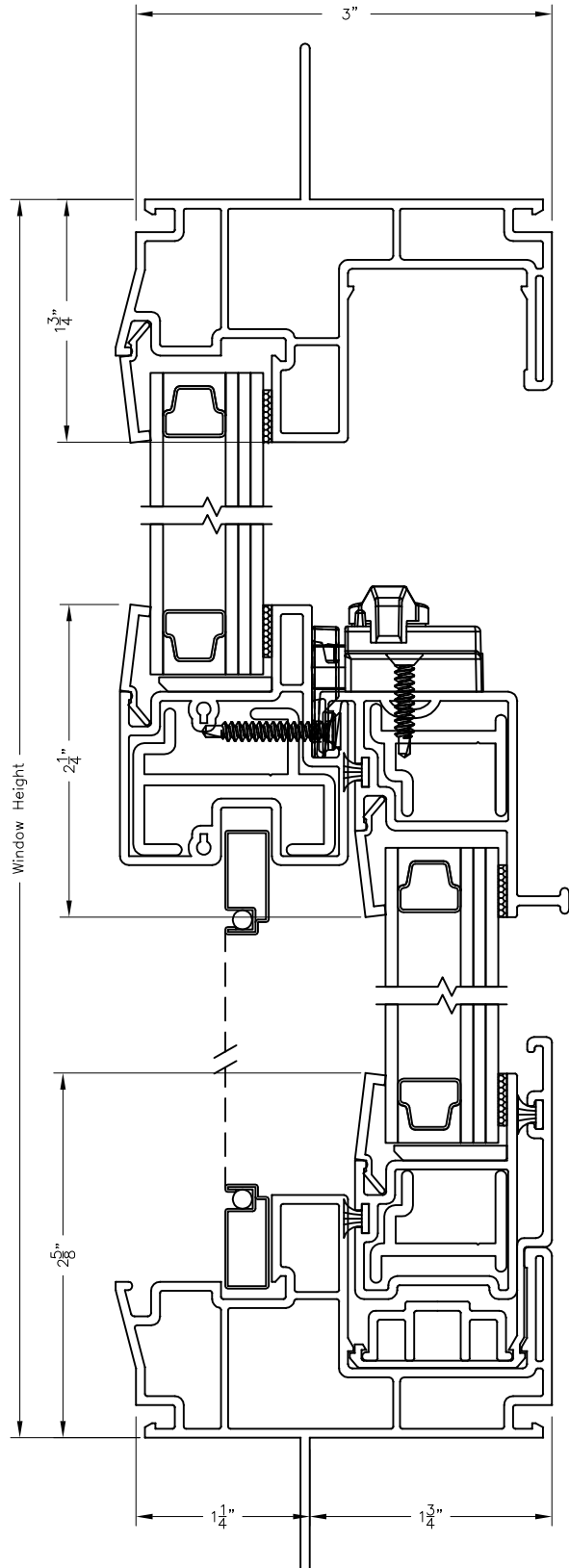
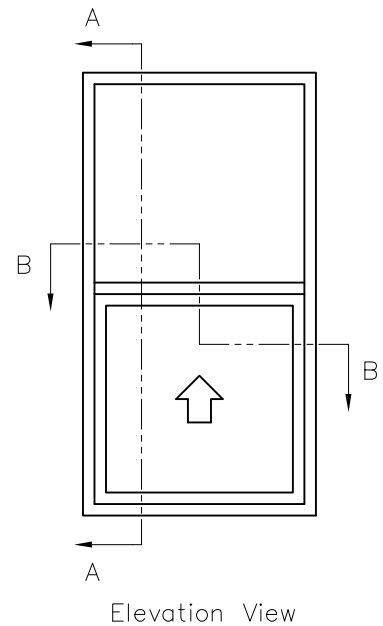


SERIES 30 / 230 SINGLE HUNG VERTICAL CROSS-SECTION

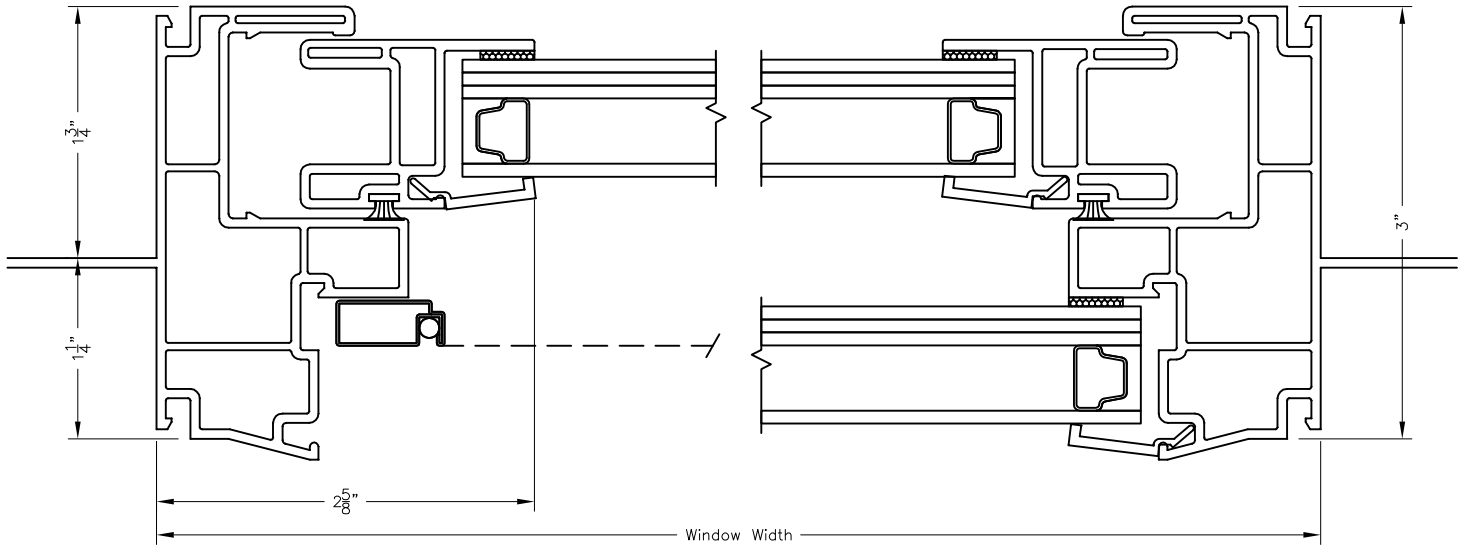


Series 30 Shown.
Series 230 (no fin) available
for replacement applications.

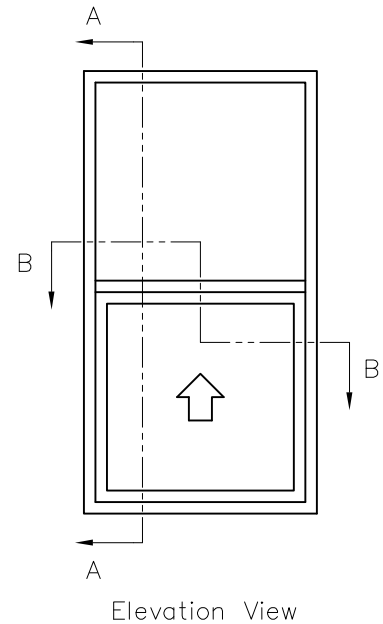


This drawing is proprietary and confidential and is intended for architectural design and/or specification purposes. It shall not be reproduced, copied, or disseminated for any other reason without expressed written permission.

SERIES 30 / 230 SINGLE HUNG HORIZONTAL CROSS-SECTION



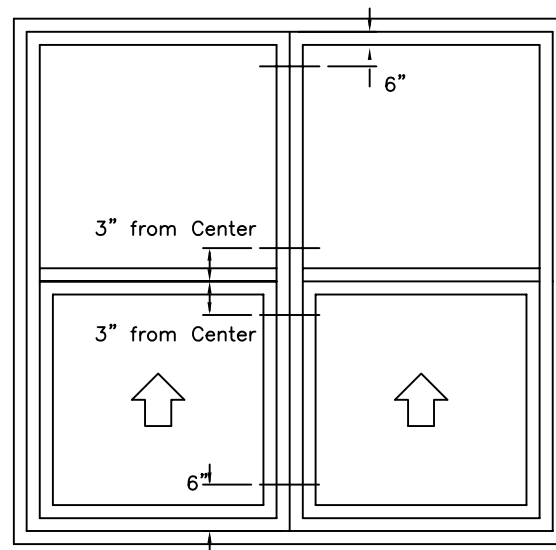
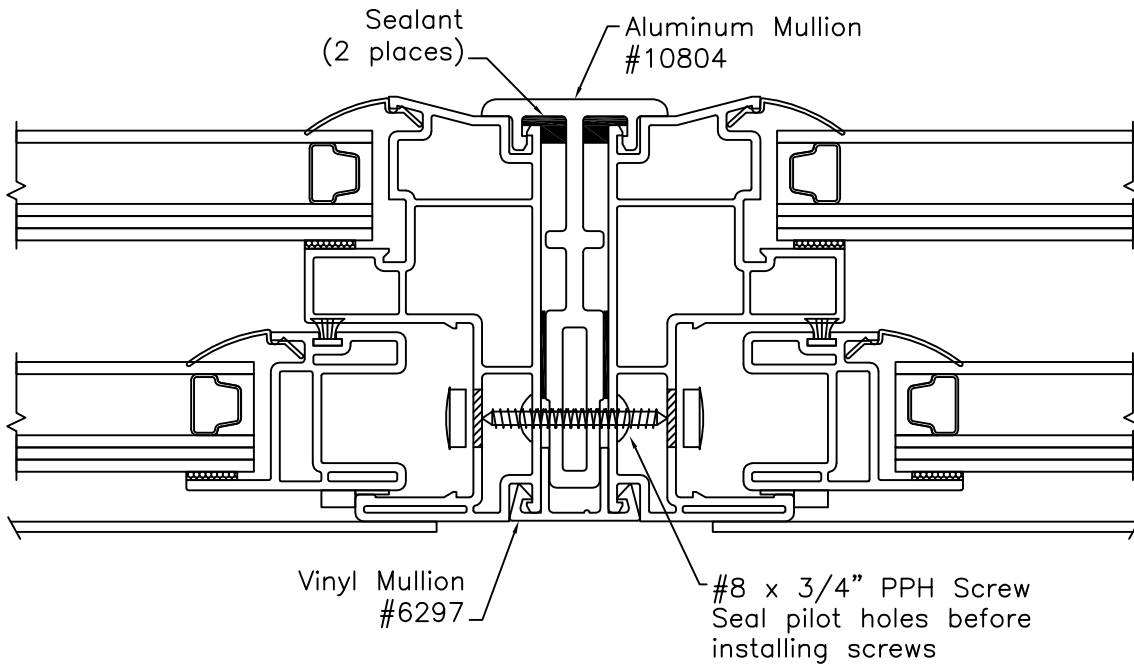
Series 30 Shown.
Series 230 (no fin) available for
replacement applications.



Elevation View

This drawing is proprietary and confidential and is intended for architectural design and/or specification purposes. It shall not be reproduced, copied, or disseminated for any other reason without expressed written permission.

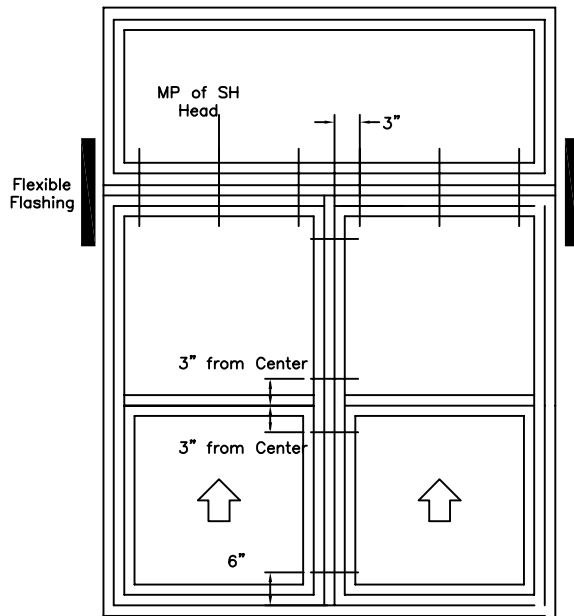
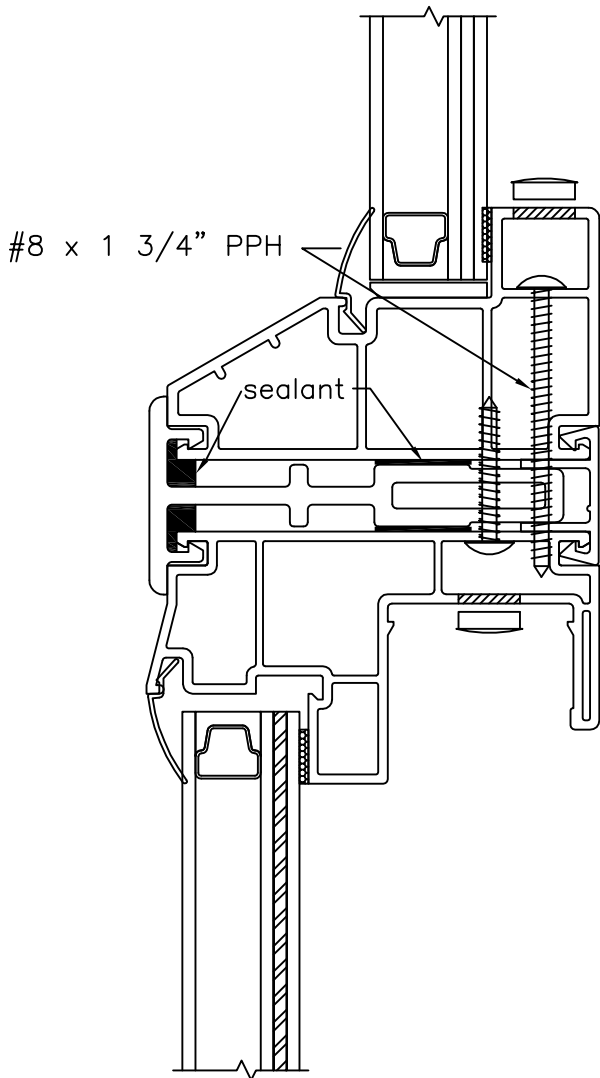
SERIES 30/230 SINGLE HUNG MULL CROSS-SECTION



Scale: 3:4

This drawing is proprietary and confidential and is intended for architectural design and/or specification purposes. It shall not be reproduced, copied, or disseminated for any other reason without expressed written permission.

SERIES 30 / 230 SINGLE HUNG STACK CROSS-SECTION



Scale: Full

This drawing is proprietary and confidential and is intended for architectural design and/or specification purposes. It shall not be reproduced, copied, or disseminated for any other reason without expressed written permission.