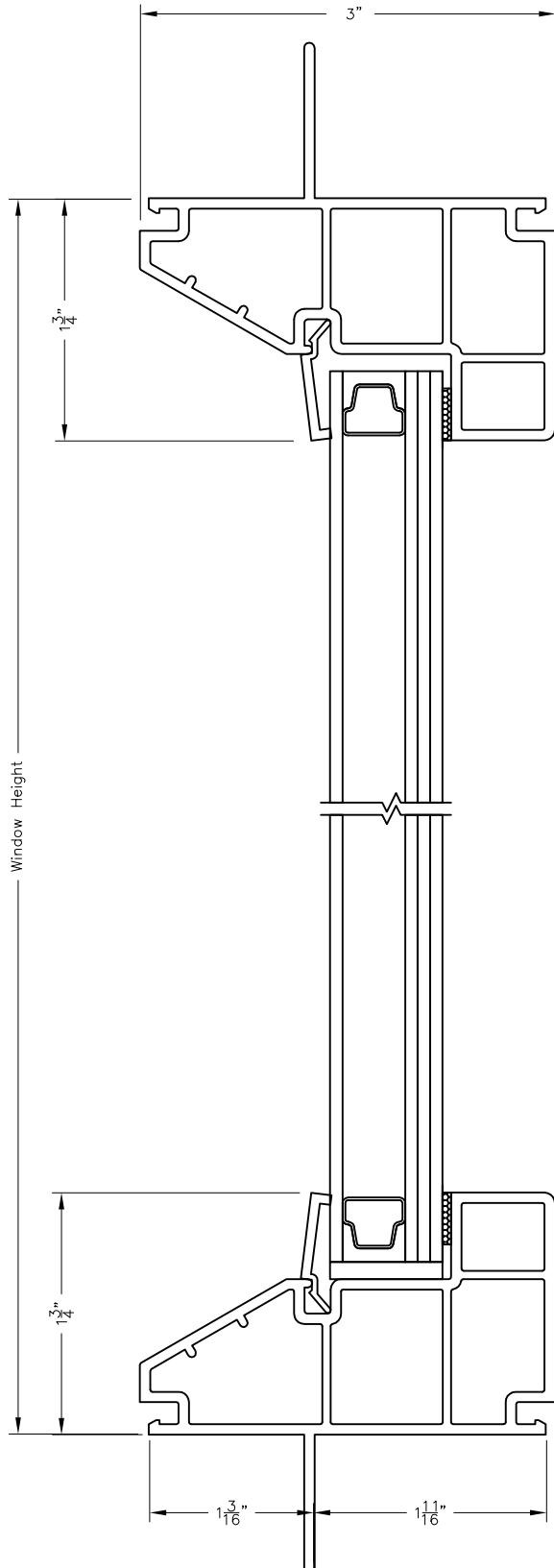
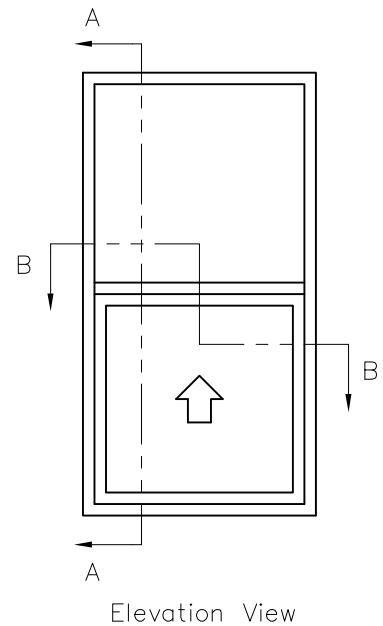


SERIES 30 / 230 PICTURE WINDOW VERTICAL CROSS-SECTION

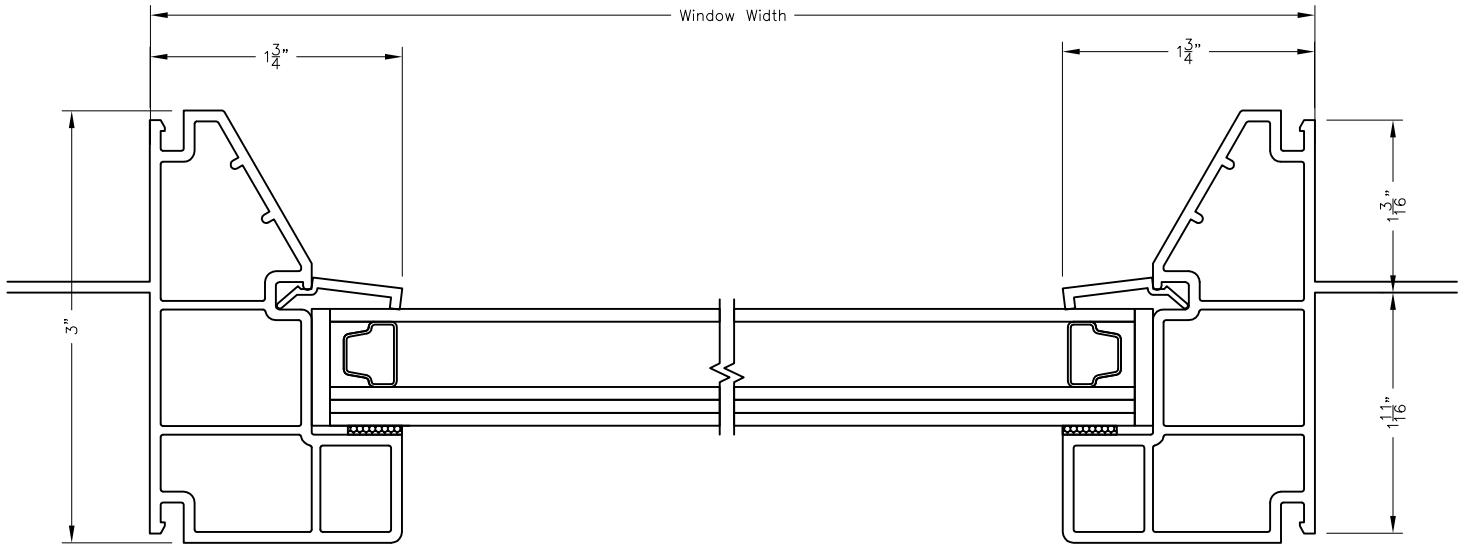


Series 30 Shown.
Series 230 (no fin) available for
replacement applications.



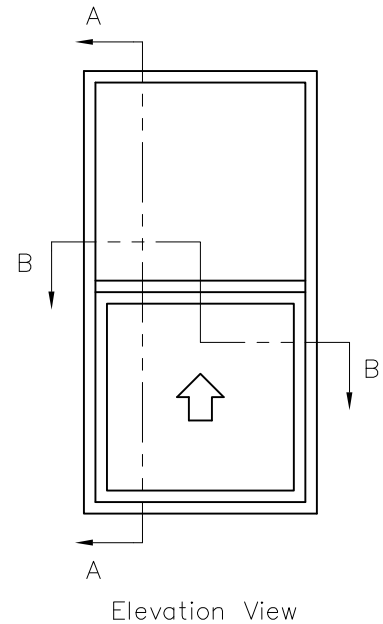
This drawing is proprietary and confidential and is intended for architectural design and/or specification purposes. It shall not be reproduced, copied, or disseminated for any other reason without expressed written permission.

SERIES 30 / 230 PICTURE WINDOW HORIZONTAL CROSS-SECTION



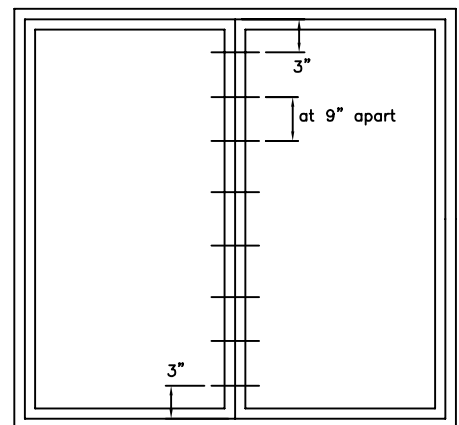
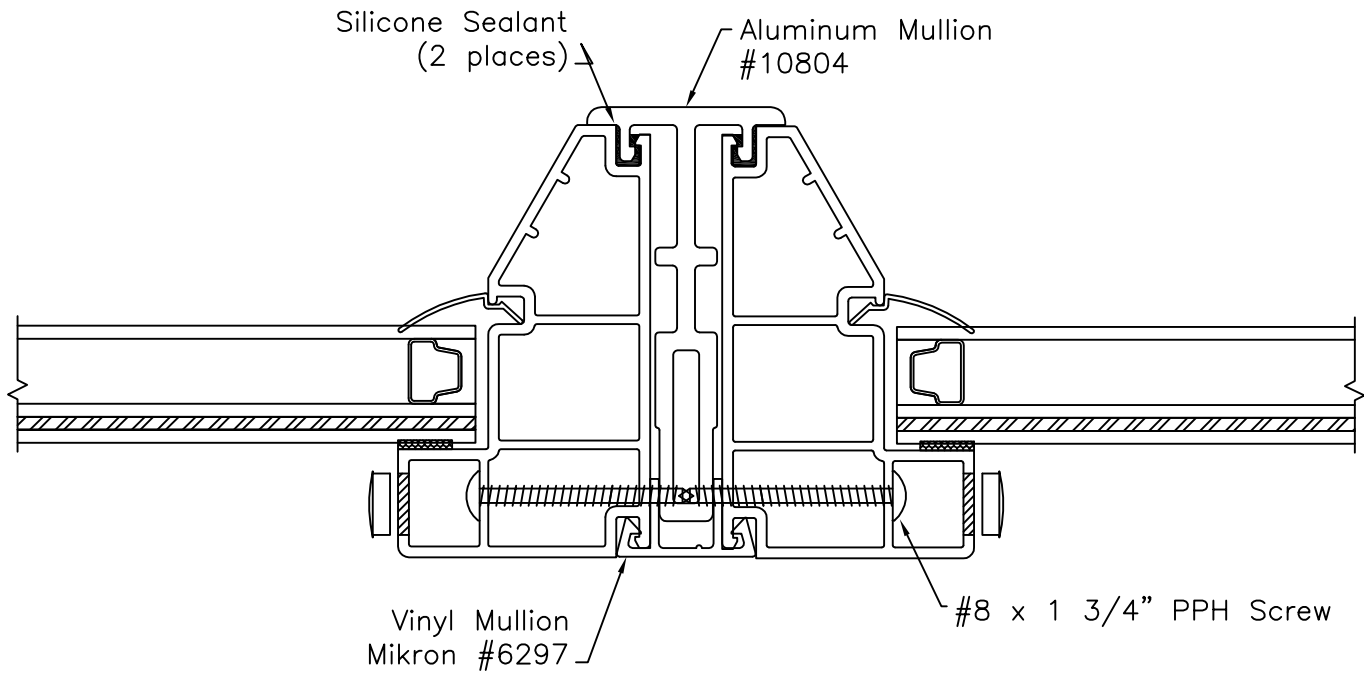
Section BB

Series 30 Shown.
Series 230 (no fin) available for
replacement applications.



This drawing is proprietary and confidential and is intended for architectural design and/or specification purposes. It shall not be reproduced, copied, or disseminated for any other reason without expressed written permission.

SERIES 30 / 230 PICTURE WINDOW MULL CROSS-SECTION



This drawing is proprietary and confidential and is intended for architectural design and/or specification purposes. It shall not be reproduced, copied, or disseminated for any other reason without expressed written permission.