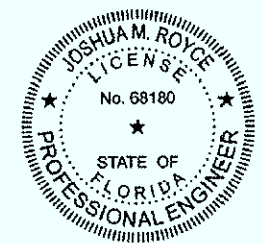
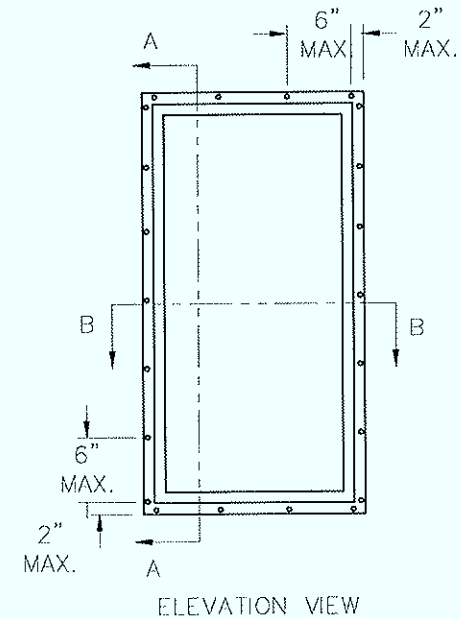


Certification	DP (psf)	WIDTH (in)	HEIGHT (in)
62490 & 62029	+/- 55.0	44	72
59991 & 59987	+/- 55.0	72	77

- NOTES:
- INSTALLATIONS SHOWN ON THIS DRAWING HAVE BEEN VERIFIED AS THE AS-TESTED INSTALLATION FOR THE PERFORMANCE LEVEL SHOWN. INSTALLATION ANCHOR CAPACITY HAS ALSO BEEN VERIFIED FOR THE ANCHOR SIZE, SUBSTRATE AND INSTALLED CONDITION. VERIFIED PRODUCTS ARE LISTED IN TABLE 1. THIS DRAWING APPLIES ONLY TO THOSE PRODUCTS.
  - INSTALLATION ANCHORS SHALL BE #8 WOOD SCREWS OF SUFFICIENT LENGTH TO ACHIEVE MINIMUM EMBEDMENT OF 3/4" INTO WOOD FRAMING MEMBER. WOOD SCREWS SHALL SATISFY NATIONAL DESIGN SPECIFICATION FOR MATERIAL PROPERTIES AND DIMENSIONS. PER NDS-2005 11.1.4.7, EDGE DISTANCES SHALL BE SUFFICIENT TO PREVENT SPLITTING.
  - WOOD FRAMING SHALL BE SPRUCE-PINE-FIR (G=0.42) OR DENSER.
  - INSTALLATION ANCHORS ARE SHOWN GOING THROUGH EXTERIOR FINISH. ANCHORS MAY BE INSTALLED DIRECTLY INTO WOOD FRAMING MEMBER WITH 3/4" MINIMUM EMBEDMENT STILL REQUIRED.
  - INSTALLATION ANCHORS SHALL BE LOCATED 2" FROM CORNERS AND 6" MAXIMUM ON CENTER SPACING.
  - THESE INSTRUCTIONS ADDRESS STRUCTURAL REQUIREMENTS ONLY. WINDOWS SHALL BE INSTALLED PER ASTM E2112 OR FMA/AAMA 100.
  - SMALLER WINDOWS OF THE SAME CONSTRUCTION AND EQUAL OR LESSER DESIGN PRESSURES ARE COVERED BY THIS DRAWING.
  - GLAZING SHALL BE AN INSULATING GLASS UNIT COMPOSED OF 1/8" ANNEALED OR TEMPERED+AIR SPACE+1/8" ANNEALED+0.090" INTERLAYER+1/8" ANNEALED.
  - PRODUCTS LISTED IN TABLE 1 ARE ASTM E1886 & 1996 IMPACT RESISTANT, MISSILE LEVEL "D", ZONE "3".
  - PRODUCT OR INSTALLATION IS NOT APPROVED FOR HIGH VELOCITY HURRICANE ZONE (HVHZ)



Secure Electronic Seal  
For Electronic Submissions

*JMR*  
Digitally Signed by: Joshua M. Royce

Date: 2008.12.17 13:27:44 -05'00'

Joshua M. Royce, P.E.  
FL PE 68180  
130 Derry Ct.  
York, PA 17406  
717-764-7700  
Project 85976.01-122-34

THIS DRAWING IS PROPRIETARY AND CONFIDENTIAL TO ATRIUM COMPANIES, INC. AND SHALL NOT BE REPRODUCED, COPIED, OR DISSEMINATED WITHOUT THE EXPRESSED WRITTEN PERMISSION OF ATRIUM COMPANIES, INC.



Title: 30PW FIN WOOD FRAME INSTALLATION INSTRUCTIONS

No.	Date	Revision Description	By	ECN #
---	----	-----	---	-----

Material (Type-Alloy-Temper): Aluminum 6063-T5	Est. Area (in <sup>2</sup> ): NA Est. Weight (lb/ft): NA	Tolerances: X.XX = ±X.XX X.XXX = ±X.XXX X.X" = ±X.X"	Scale: 3:4	Sheet Size: ANSI B
Drawn By: JTS	Approved By: DJC	Date: 13 June 2008	ECN# (Initial issue): ECN-2008-139588	File Name: ADW-01 30 230 PW Installation Instructions

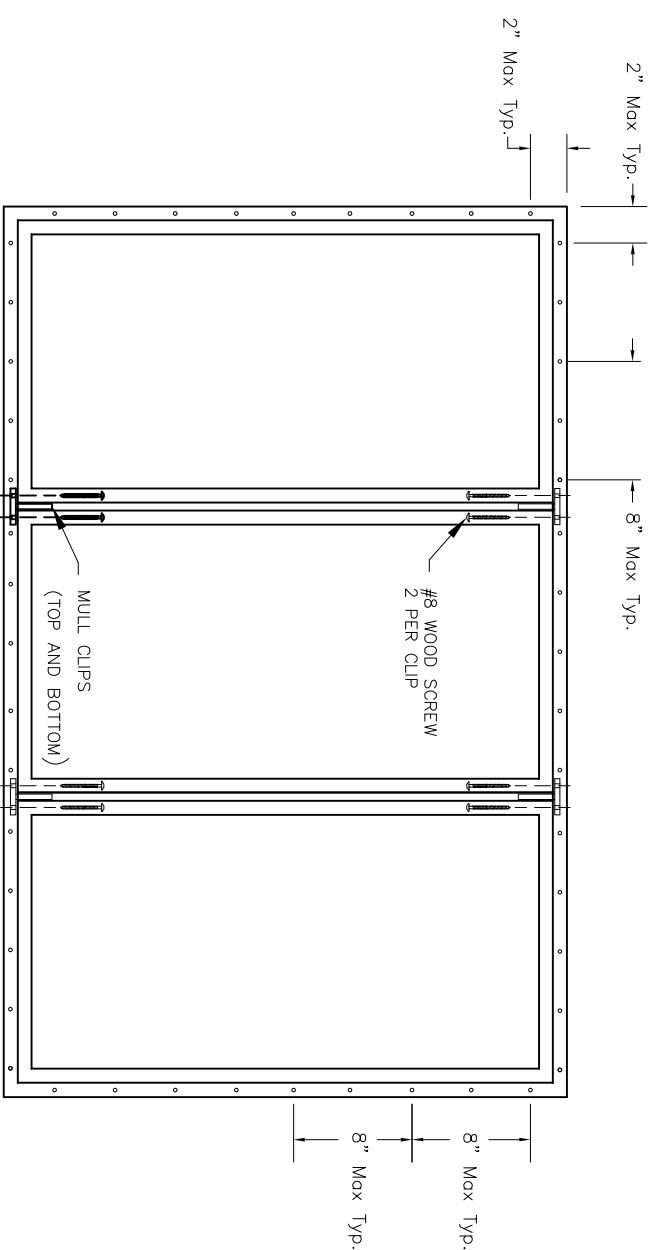
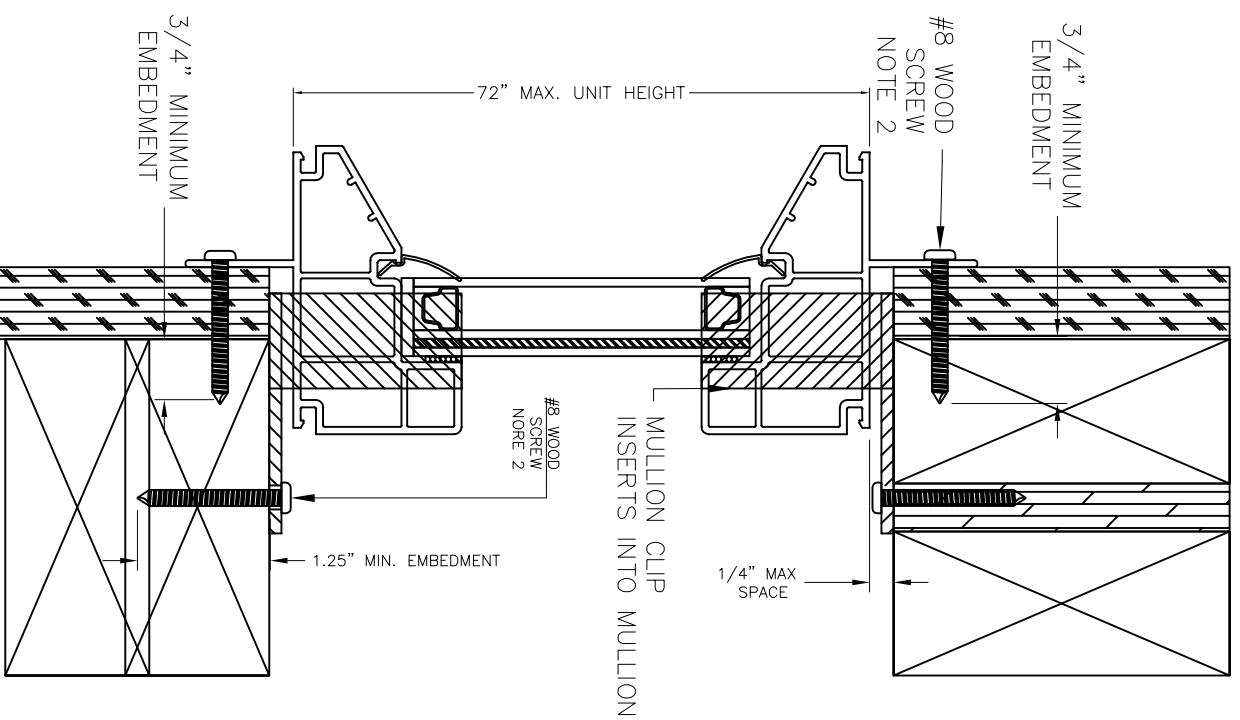
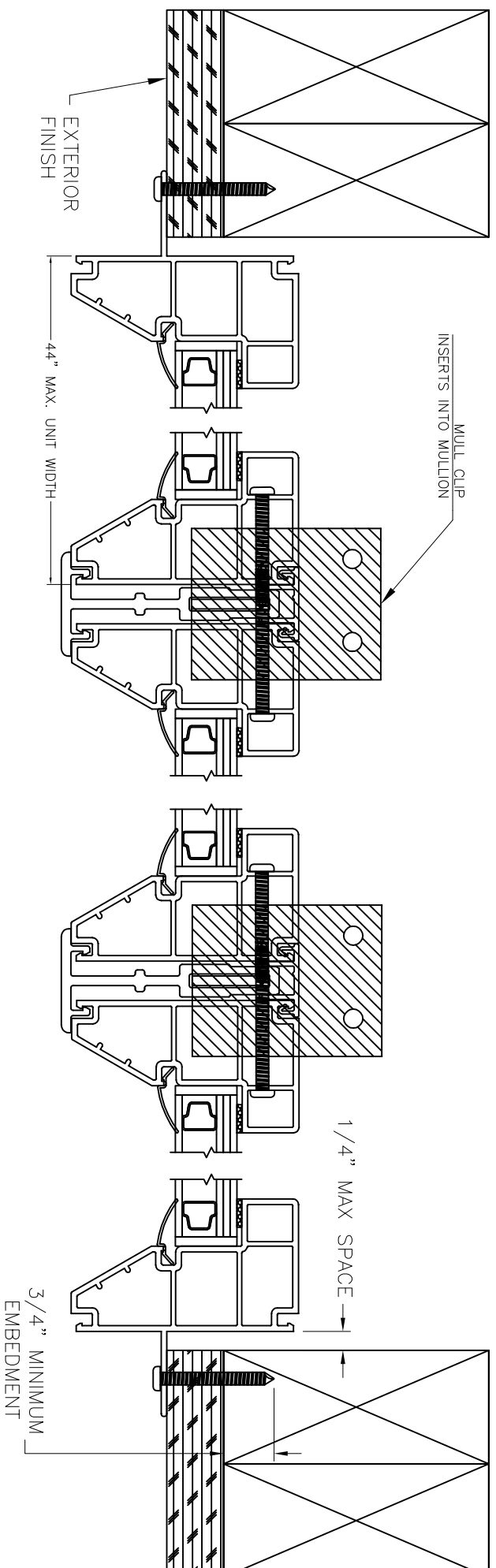
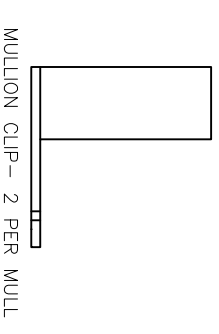


Table 1 – Verified Installations			
Certification	DP (psf)	WIDTH (in)	HEIGHT (in)
62490 & 62029	+/- 55.0	133	72



NOTES:

1. INSTALLATIONS SHOWN ON THIS DRAWING HAVE BEEN VERIFIED AS THE AS-TESTED INSTALLATION FOR THE PERFORMANCE LEVEL SHOWN. INSTALLATION ANCHOR CAPACITY HAS ALSO BEEN VERIFIED FOR THE ANCHOR SIZE, SUBSTRATE AND INSTALLED CONDITION. VERIFIED PRODUCTS ARE LISTED IN TABLE 1. THIS DRAWING APPLIES ONLY TO THOSE PRODUCTS.
2. MAXIMUM INDIVIDUAL UNIT SIZE IS 44" x 72". THIS APPROVAL ALSO QUALIFIES TWIN AND SINGLE UNITS COMPLYING WITH THE SAME SIZE RESTRICTIONS.
3. FIN INSTALLATION ANCHORS BE PLACED FULL PERIMETER AROUND THE WINDOW AND SHALL BE #8 WOOD SCREWS OF SUFFICIENT LENGTH TO ACHIEVE MINIMUM EMBEDMENT OF 3/4" INTO WOOD FRAMING MEMBER. MULL CLIP SCREWS SHALL BE #8 WOOD SCREWS OF SUFFICIENT LENGTH TO ACHIEVE A MINIMUM EMBEDMENT OF 1.25" INTO THE WOOD FRAMING MEMBER. WOOD SCREWS SHALL SATISFY NATIONAL DESIGN SPECIFICATION FOR MATERIAL PROPERTIES AND DIMENSIONS. PER NDS-2005 11.1.4.7, EDGE DISTANCES SHALL BE SUFFICIENT TO PREVENT SPLITTING.
4. WOOD FRAMING SHALL BE SPRUCE-PINE-FIR (G=0.42) OR DENSER.
5. INSTALLATION ANCHORS ARE SHOWN GOING THROUGH EXTERIOR FINISH. ANCHORS MAY BE INSTALLED DIRECTLY INTO WOOD FRAMING MEMBER WITH 3/4" MINIMUM EMBEDMENT STILL REQUIRED.
6. FIN INSTALLATION ANCHORS SHALL BE LOCATED 2" FROM CORNERS AND 8" MAXIMUM ON CENTER SPACING.
7. THESE INSTRUCTIONS ADDRESS STRUCTURAL REQUIREMENTS ONLY. WINDOWS SHALL BE INSTALLED PER ASTM E2112 OR FMA/AAMA 100.
8. SMALLER WINDOWS OF THE SAME CONSTRUCTION AND EQUAL OR LESSER DESIGN PRESSURES ARE COVERED BY THIS DRAWING.
9. GLAZING SHALL BE AN INSULATING GLASS UNIT COMPOSED OF 1/8" ANNEALED OR TEMPERED+AIR SPACE+1/8" ANNEALED+0.090" INTERLAYER+1/8" ANNEALED.
10. PRODUCTS LISTED IN TABLE 1 ARE ASTM E1886 & 1996 IMPACT RESISTANT, MISSILE LEVEL "D", ZONE "3".
11. PRODUCT OR INSTALLATION IS NOT APPROVED FOR HIGH VELOCITY HURRICANE ZONE (HVHZ)

THIS DRAWING IS PROPRIETARY AND CONFIDENTIAL TO ATRIUM COMPANIES, INC. AND SHALL NOT BE REPRODUCED, COPIED, OR DISSEMINATED WITHOUT THE EXPRESSED WRITTEN PERMISSION OF ATRIUM COMPANIES, INC.

**ATRIUM**  
C O M P A N I E S, I N C.

30/8200 PICTURE WINDOW TWIN & TRIPLE  
INSTALLATION INSTRUCTIONS

No.	Date	Revision Description	By	ECN #
--	----	-----	---	-----

Material (Type-Alloy-Temper): Aluminum 6063-T5	Est. Area (ft <sup>2</sup> ): NA	Tolerances: XXX = ±X.XX X.XXX = ±X.XXX X.X = ±X.X
Drawn By: JTS	Approved By: DJC	Date: 13 June 2008
ECN# (Initial Issue): ECN-2008-1395BB	File Name: ADW-01_30_230_PW_Installation_Instructions	Scale: 1:2
		ANSI B Sheet 1/1