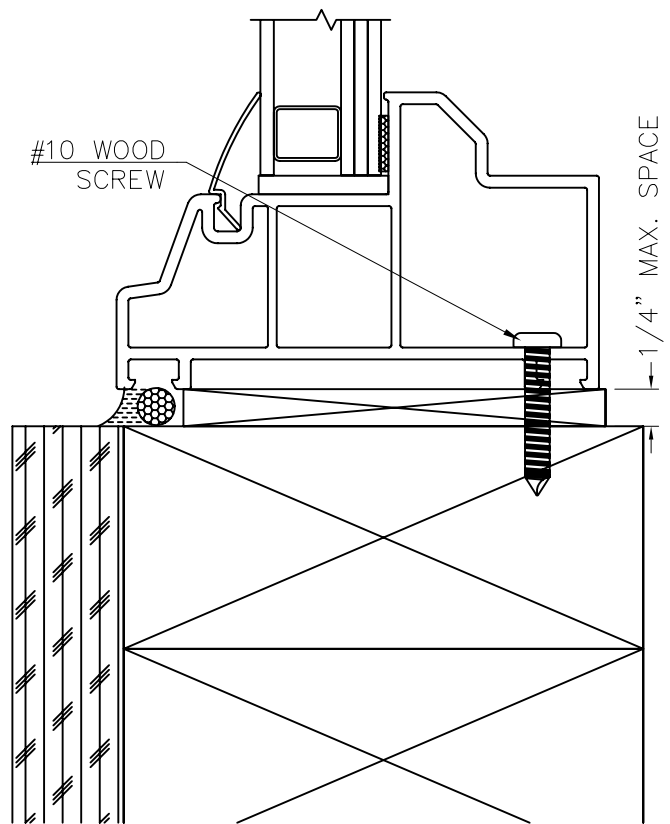
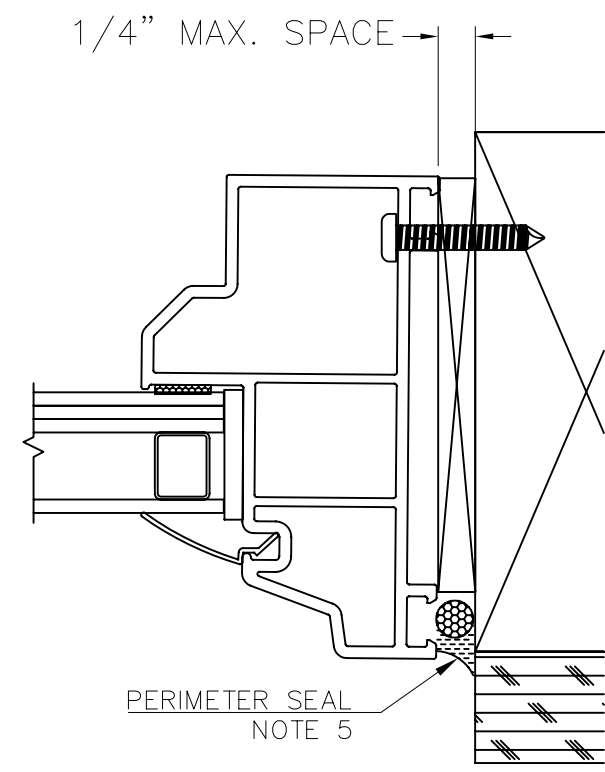
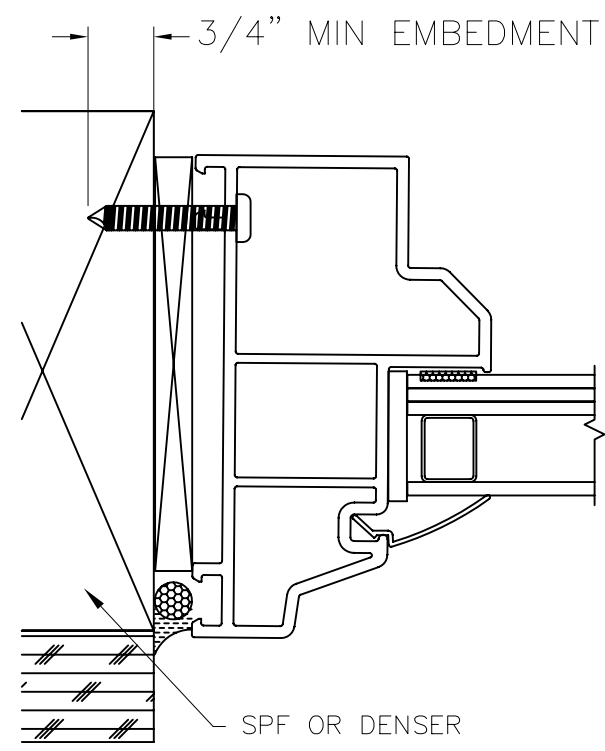
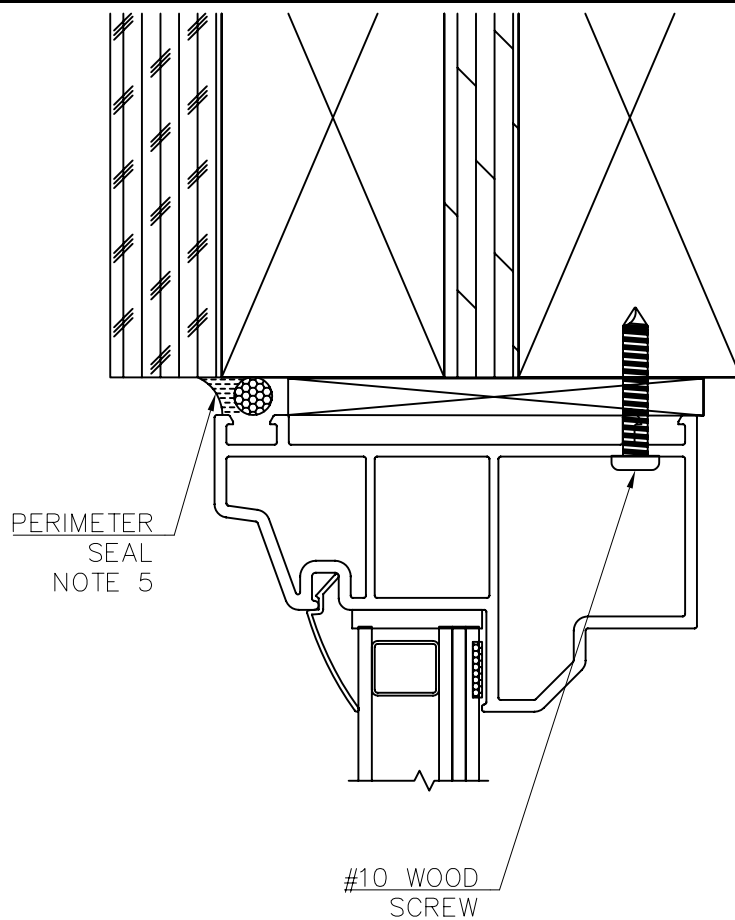
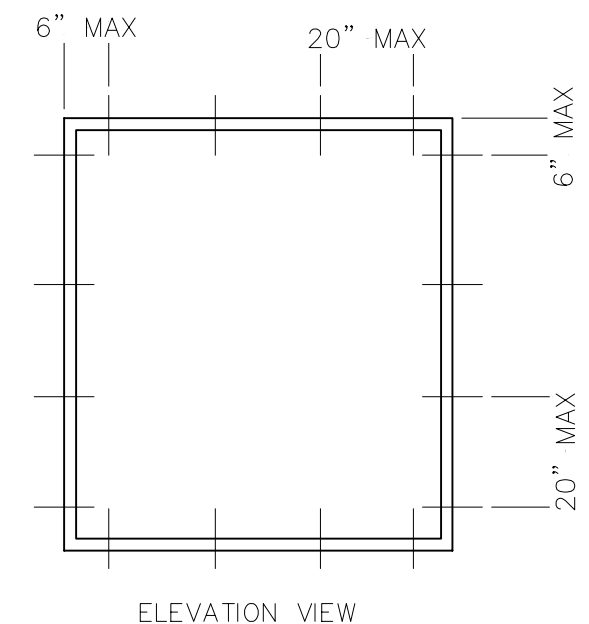


Table 1 – Verified Installations

Certification	DP (psf)	WIDTH (in)	HEIGHT (in)
66673 & 84729	+/- 55.0	72	72



Joshua M. Royce, P.E.
 FL PE 68180
 130 Derry Ct.
 York, PA 17406
 717-764-7700
 Project 89212.01-122-34



- NOTES:
- INSTALLATIONS SHOWN ON THIS DRAWING HAVE BEEN VERIFIED AS THE AS-TESTED INSTALLATION FOR THE PERFORMANCE LEVEL SHOWN. INSTALLATION ANCHOR CAPACITY HAS ALSO BEEN VERIFIED FOR THE ANCHOR SIZE, SUBSTRATE AND INSTALLED CONDITION. VERIFIED PRODUCTS ARE LISTED IN TABLE 1. THIS DRAWING APPLIES ONLY TO THOSE PRODUCTS.
 - INSTALLATION ANCHORS SHALL BE #10 WOOD SCREWS OF SUFFICIENT LENGTH TO ACHIEVE MINIMUM EMBEDMENT OF 3/4" INTO WOOD FRAMING MEMBER. WOOD SCREWS SHALL SATISFY NATIONAL DESIGN SPECIFICATION FOR MATERIAL PROPERTIES AND DIMENSIONS. PER NDS-2005 11.1.4.7, EDGE DISTANCES SHALL BE SUFFICIENT TO PREVENT SPLITTING.
 - WOOD FRAMING SHALL BE SPRUCE-PINE-FIR (G=0.42) OR DENSER.
 - INSTALLATION ANCHORS SHALL BE LOCATED 6" FROM THE CORNERS AND 20" ON CENTER MAX.
 - THESE INSTRUCTIONS ADDRESS STRUCTURAL REQUIREMENTS ONLY. WINDOWS SHALL BE INSTALLED PER ASTM E2112 OR FMA/AAMA 100.
 - SMALLER WINDOWS OF THE SAME CONSTRUCTION AND EQUAL OR LESSER DESIGN PRESSURES ARE COVERED BY THIS DRAWING.
 - GLAZING SHALL BE INSULATING GLASS COMPRISED OF 1/8" ANNEALED OR TEMPERED+ AIRSPACE+ 1/8" ANNEALED+ INTERLAYER+1/8" ANNEALED.
 - PRODUCTS LISTED IN TABLE 1 ARE ASTM E1886 AND 1996 IMPACT RESISTANT, MISSILE LEVEL "D", ZONE "3".
 - PRODUCT OR INSTALLATION IS NOT APPROVED FOR HIGH VELOCITY HURRICANE ZONE (HVHZ)

THIS DRAWING IS PROPRIETARY AND CONFIDENTIAL TO ATRIUM COMPANIES, INC. AND SHALL NOT BE REPRODUCED, COPIED, OR DISSEMINATED WITHOUT THE EXPRESSED WRITTEN PERMISSION OF ATRIUM COMPANIES, INC.

No.	Date	Revision Description	By	ECN #
--	----	-----	---	-----

Material (Type-Alloy-Temper):		Est. Area (in ²): NA	Tolerances: X.XX = ±X.XX	
-----		Est. Weight (lb/ft): NA	X.XXX = ±X.XXX	
			X.X' = ±X.X'	

Title:	ADW-01 270 PW REPLACEMENT INSTALLATION	Drawn By: JTS	Approved By: DJC	Date: 23 JUNE 2008	Scale: 3:4	Sheet Size: ANSI B
ECN# (Initial Issue):	ECN-2008-1395G	File Name:		ADW-00 70 270 PW Installation Instructions		

Sheet 1/1