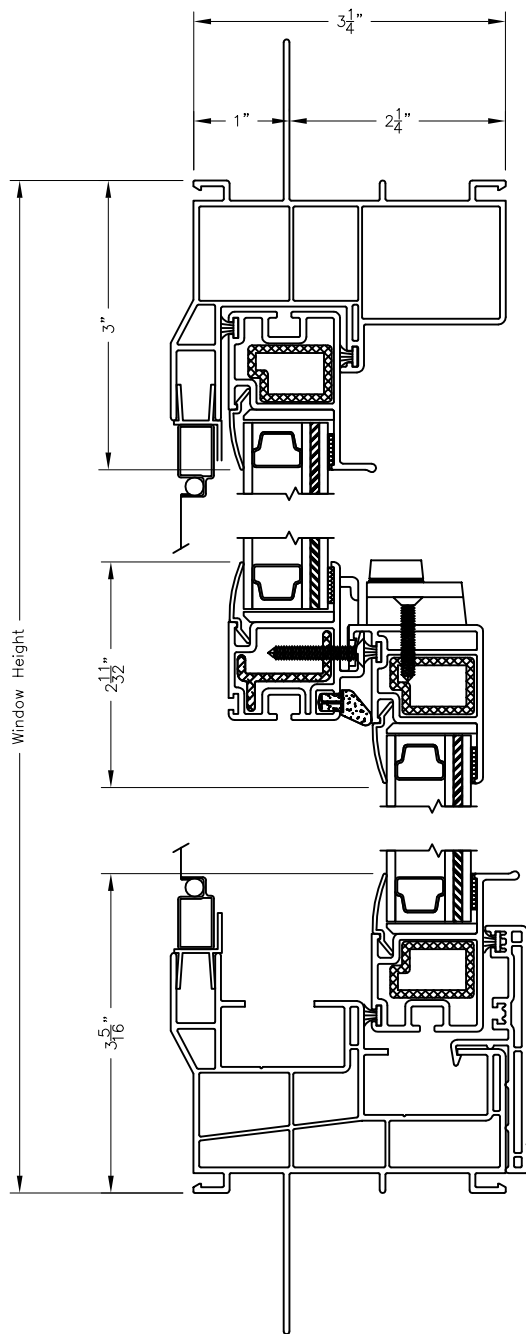
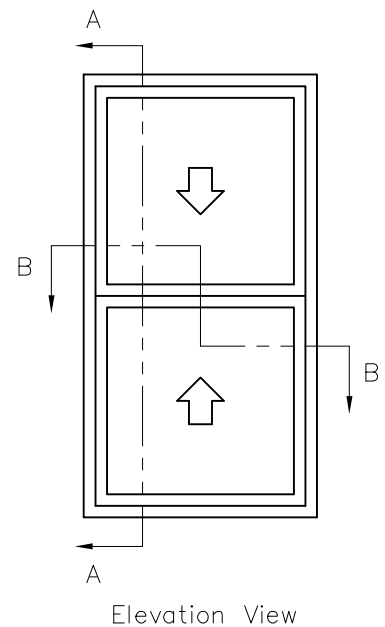


SERIES 55 / 255 DOUBLE HUNG VERTICAL CROSS-SECTION



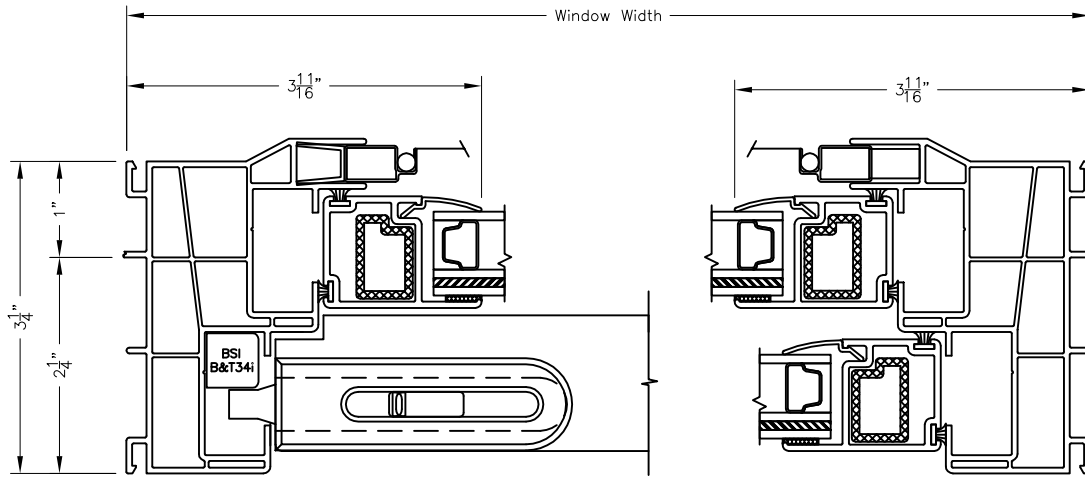
Series 55 Shown.
Series 255 (no fin) is available
for replacement application.



Scale: 1:2

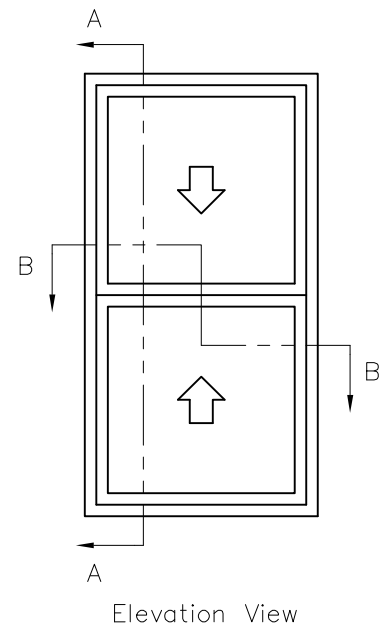
This drawing is proprietary and confidential and is intended for architectural design and/or specification purposes. It shall not be reproduced, copied, or disseminated for any other reason without expressed written permission.

SERIES 55 / 255 DOUBLE HUNG HORIZONTAL CROSS-SECTION



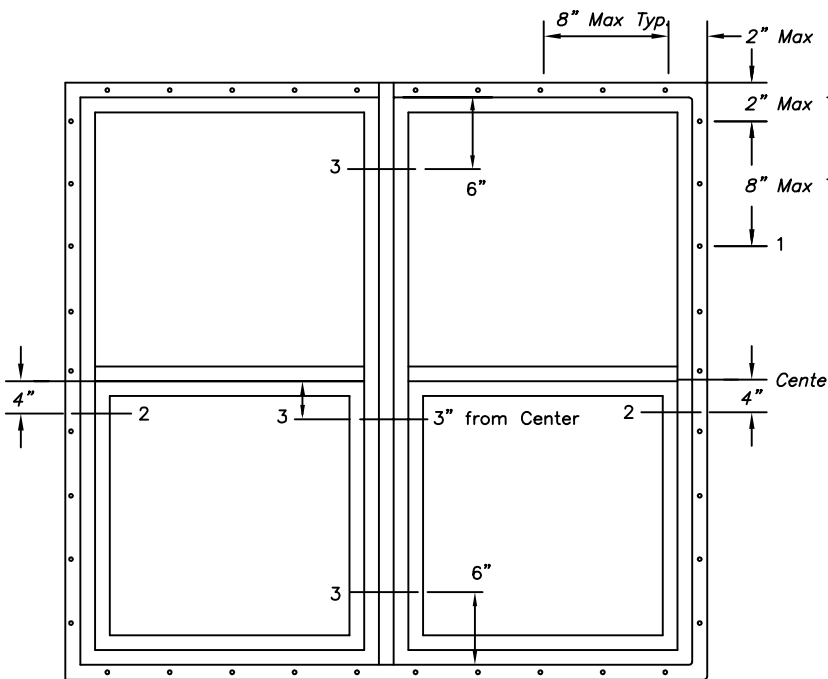
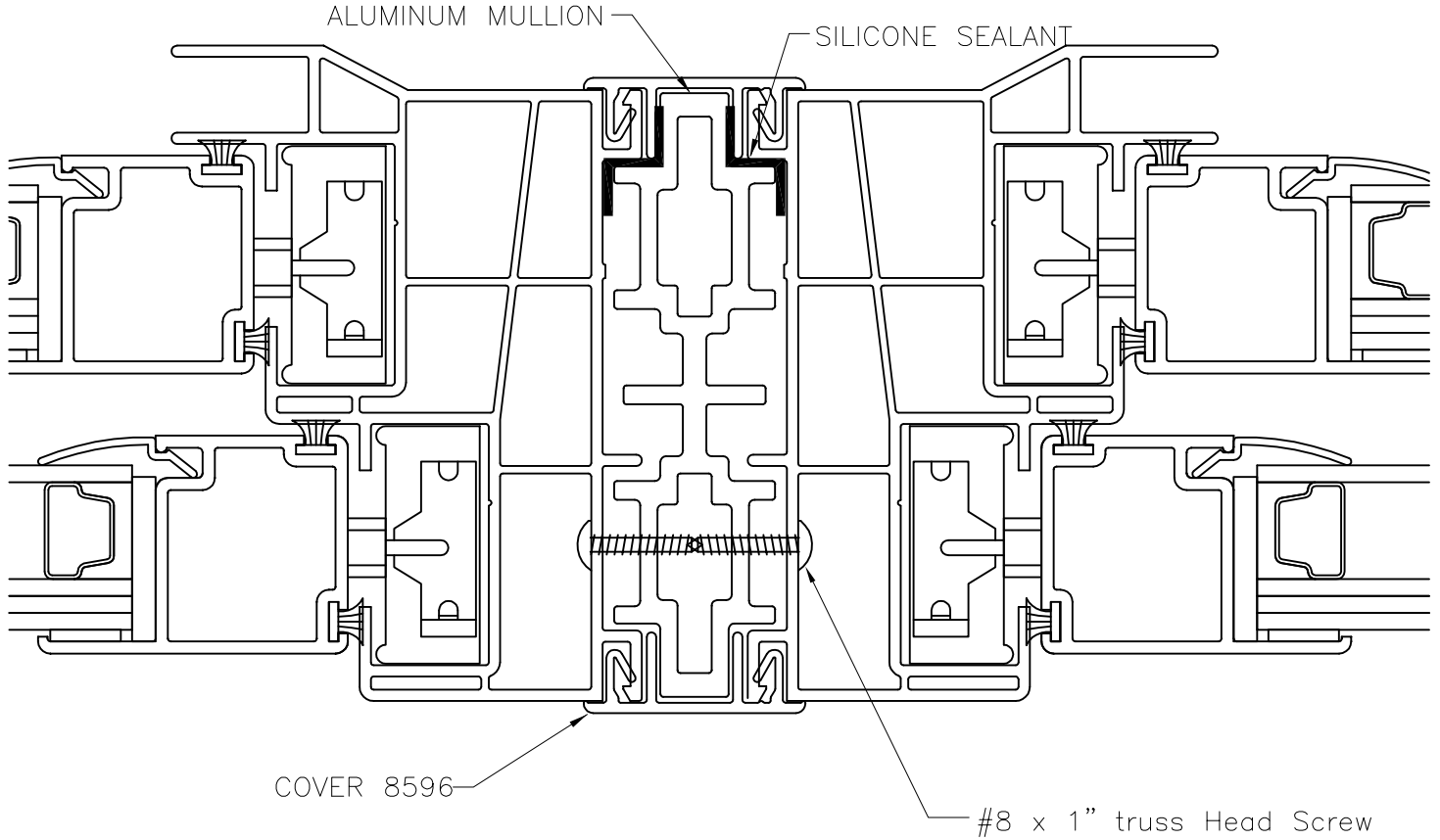
Scale: 1:2

Series 55 Shown.
Series 255 (no fin) is available
for replacement application.



This drawing is proprietary and confidential and is intended for architectural design and/or specification purposes. It shall not be reproduced, copied, or disseminated for any other reason without expressed written permission.

SERIES 55 / 255 DOUBLE HUNG MULL CROSS-SECTION



This drawing is proprietary and confidential and is intended for architectural design and/or specification purposes. It shall not be reproduced, copied, or disseminated for any other reason without expressed written permission.