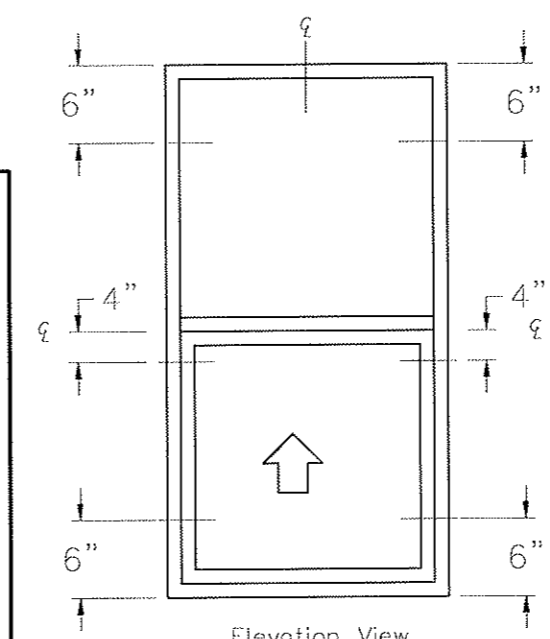
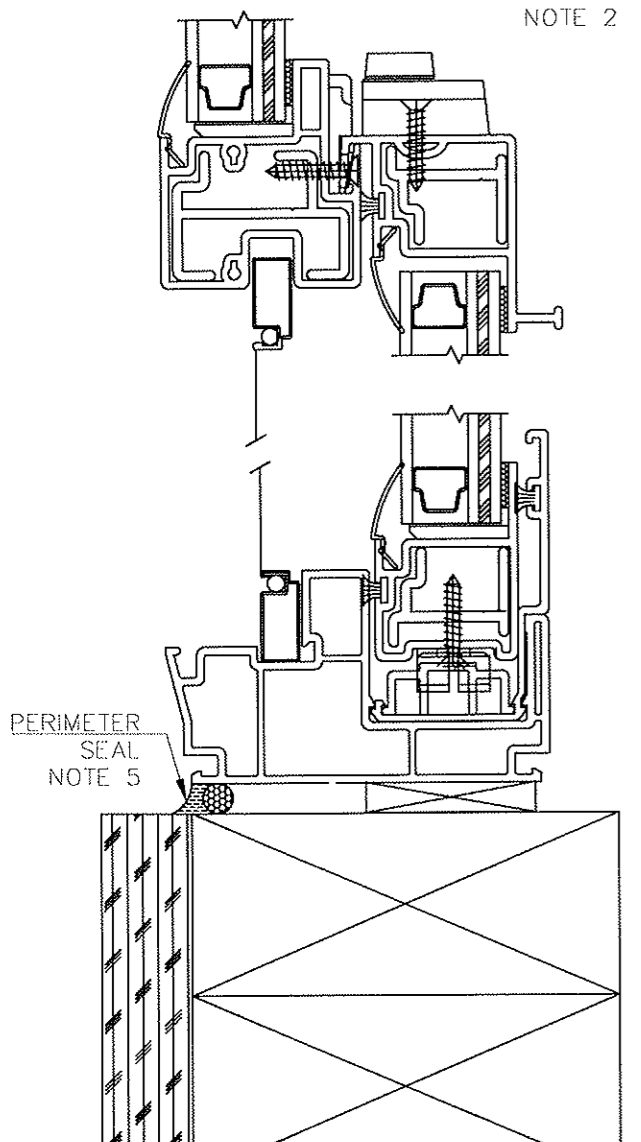
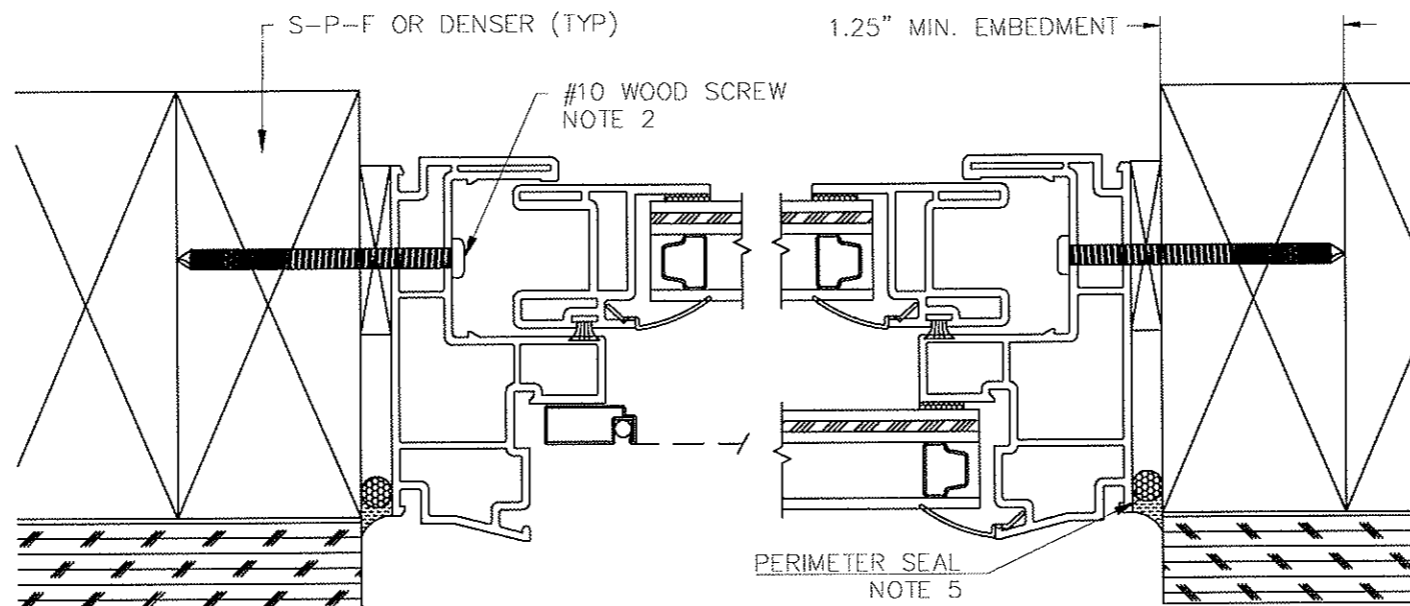
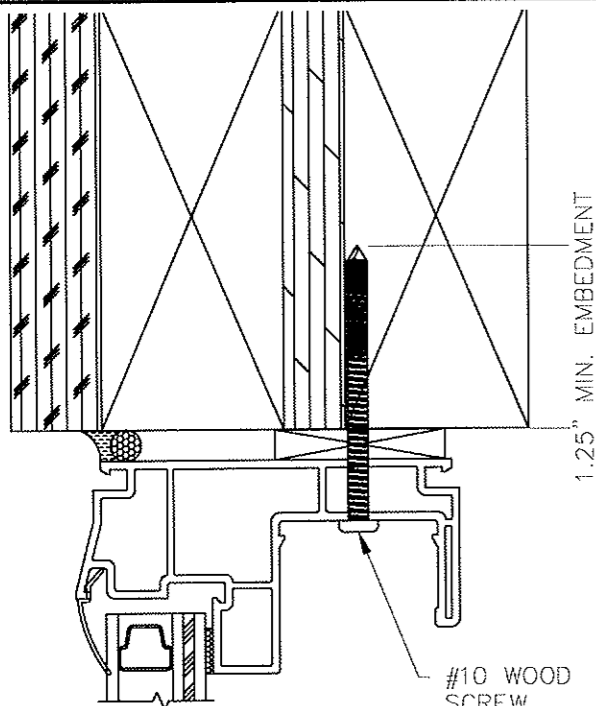
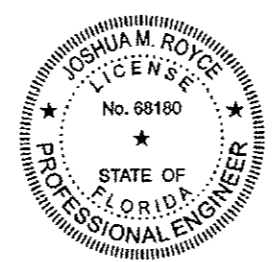


Table 1 - Verified Installations

Certification	DP (psf)	WIDTH (in)	HEIGHT (in)
62486 & 61802	+/- 55.0	44	72
59989 & 59984	+/- 55.0	53	77



- NOTES:
- INSTALLATIONS SHOWN ON THIS DRAWING HAVE BEEN VERIFIED AS THE AS-TESTED INSTALLATION FOR THE PERFORMANCE LEVEL SHOWN. INSTALLATION ANCHOR CAPACITY HAS ALSO BEEN VERIFIED FOR THE ANCHOR SIZE, SUBSTRATE AND INSTALLED CONDITION. VERIFIED PRODUCTS ARE LISTED IN TABLE 1. THIS DRAWING APPLIES ONLY TO THOSE PRODUCTS.
 - INSTALLATION ANCHORS SHALL BE #10 WOOD SCREWS OF SUFFICIENT LENGTH TO ACHIEVE MINIMUM EMBEDMENT OF 1.25" INTO WOOD FRAMING MEMBER. WOOD SCREWS SHALL SATISFY NATIONAL DESIGN SPECIFICATION FOR MATERIAL PROPERTIES AND DIMENSIONS. PER NDS-2005 11.1.4.7, EDGE DISTANCES SHALL BE SUFFICIENT TO PREVENT SPLITTING.
 - WOOD FRAMING SHALL BE SPRUCE-PINE-FIR (G=0.42) OR DENSER.
 - INSTALLATION ANCHORS SHALL BE LOCATED IN THE HEAD AT THE MIDPOINT, AND IN THE JAMBS 6" FROM CORNERS AND 4" BELOW THE MIDPOINT.
 - THESE INSTRUCTIONS ADDRESS STRUCTURAL REQUIREMENTS ONLY. WINDOWS SHALL BE INSTALLED PER ASTM E2112 OR FMA/AAMA 100.
 - SMALLER WINDOWS OF THE SAME CONSTRUCTION AND EQUAL OR LESSER DESIGN PRESSURES ARE COVERED BY THIS DRAWING.
 - GLAZING SHALL BE AN INSULATING GLASS UNIT COMPOSED OF 1/8" ANNEALED OR TEMPERED+AIR SPACE+1/8" ANNEALED+0.090" INTERLAYER+1/8" ANNEALED.
 - PRODUCTS LISTED IN TABLE 1 ARE ASTM E1886 & 1996 IMPACT RESISTANT, MISSILE LEVEL "D", ZONE "3".
 - PRODUCT OR INSTALLATION IS NOT APPROVED FOR HIGH VELOCITY HURRICANE ZONE (HVHZ)



Secure Electronic Seal
For Electronic Submissions

JMR

Digitally Signed by: Joshua M. Royce
Date: 2008.12.17 13:24:17 -05'00'

Joshua M. Royce, P.E.
FL PE 68180
130 Derry Ct.
York, PA 17406
717-764-7700
Project 85992.01-122-34

THIS DRAWING IS PROPRIETARY AND CONFIDENTIAL TO ATRIUM COMPANIES, INC. AND SHALL NOT BE REPRODUCED, COPIED, OR DISSEMINATED WITHOUT THE EXPRESSED WRITTEN PERMISSION OF ATRIUM COMPANIES, INC.



Title: 230SH FIN REPLACEMENT INSTALLATION INSTRUCTIONS

No.	Date	Revision Description	By	ECN #
---	---	---	---	---

Material (Type-Alloy-Temper): Aluminum 6063-T5	Est. Area (in ²): NA	Est. Weight (lb/ft): NA	Tolerances: X.XX = ±X.XX X.XXX = ±X.XXX X.X" = ±X.X"
Drawn By: JTS	Approved By: DJC	Date: 13 June 2008	Scale: 2:3
ECN# (Initial Issue): ECN-2008-1395BB	File Name: ADW-01 30 230 SH Installation Instructions	Sheet Size: ANSI B	Sheet 1/1