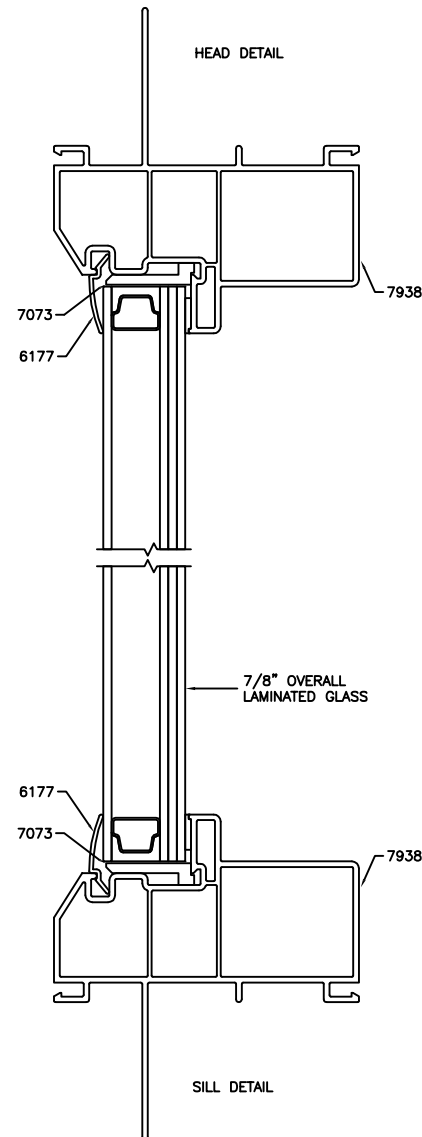
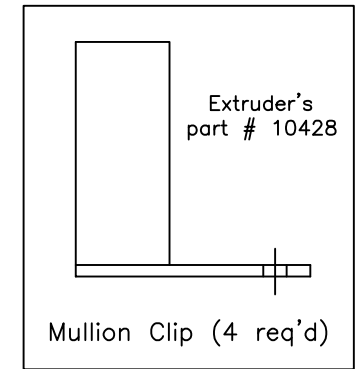
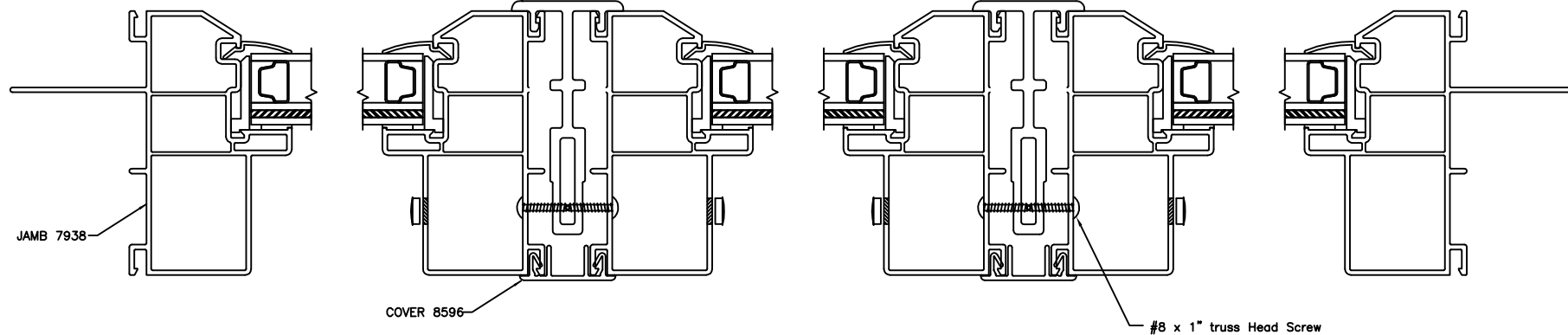


THIS DRAWING IS PROPRIETARY AND CONFIDENTIAL TO ATRIUM COMPANIES, INC. AND SHALL NOT BE REPRODUCED, COPIED OR DISSEMINATED WITHOUT THE EXPRESSED WRITTEN PERMISSION OF ATRIUM COMPANIES, INC..

ALUMINUM MULLION 10408-



Mulling Prep Instructions:

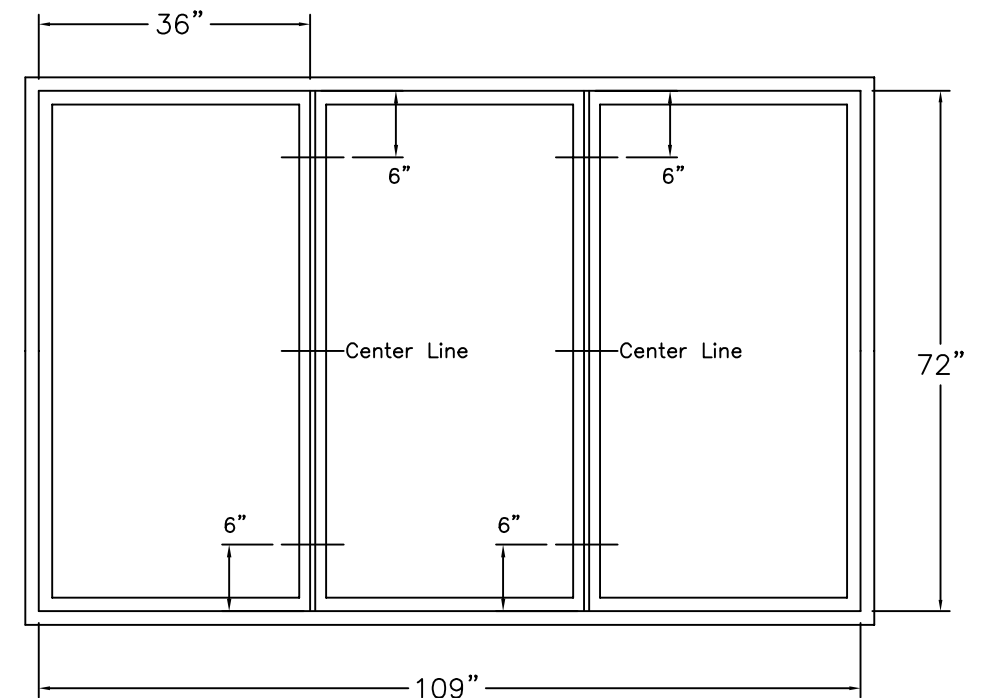
1. Determine inside, and outside of windows to be mullied.
2. Remove opposing nail fins located on vertical jambs.

Mulling Instructions:

1. Place windows side by side in a vertical position.
2. Apply a large bead of sealant on vertical jambs, 1" in from inside surface.
3. Apply sealant in the vertical grooves, outside surface, where mullion will snap-in.
4. Snap-in Aluminum Mullion #10408, as shown in assembly.
5. At locations shown in Fastener Detail, drill 1/8" pilot holes (centered) in vertical balance pockets of both windows. Do not install screws thru clips, at this time.
6. Drill 3/8" holes thru first wall of vinyl, fill each hole with sealant.
7. Install #8 x 1" P.T.H. screws, refill holes with sealant and snap on buttons.
8. Snap on Vinyl Mullion Cover #8596, as shown in assembly.

Field Installation Instructions:

1. At mullion top and bottom, fill open areas with sealant.
2. Slide Mullion Clips into mullion interior cavities, top and bottom.
3. At top exterior of unit, apply a large bead of sealant to the top of both windows.
4. Apply vinyl drip cap #1429R and staple to fin.
5. Clip Fasteners: install 2 per clip - #10 x 1 3/4" P.P.H. screws.



REVISIONS			
NO.	DATE	DESCRIPTION	CHG'D BY
X	X-XX-XXXX	XXXXXXXXXXXXXXXXXXXX	XXXXXX

ECN #	ECN-2006-0996.01.03 (Initial Issue)



MANUFACTURING LOCATIONS:  
**ADW-13**

TITLE: <b>55 P.W. Impact Assembly ADW-13 55 PW Multiple Unit Assembly</b>			
ALLOY:	TEMPER:	EST. AREA In: XXXXX EST. AREA cm: XXXXX	TOLERANCES: X.XX = +/- X.XX X.XXX = +/- X.XXX X.X DEG = +/- X.X DEG
MATERIAL:	SCALE: <b>1=1/2</b>	EST. WEIGHT IN lb./ft.: XXXXX EST. WEIGHT IN kg./m: XXXXX	SHEET SIZE: <b>ANSI B</b>
DRAWN BY: <b>JWL</b>	APPROVED BY: <b>D. Harden</b>	DATE: <b>8-4-07</b>	DRAWING TYPE OR DIE #: <b>55 PW TRIPLE</b> Sheet 1/1